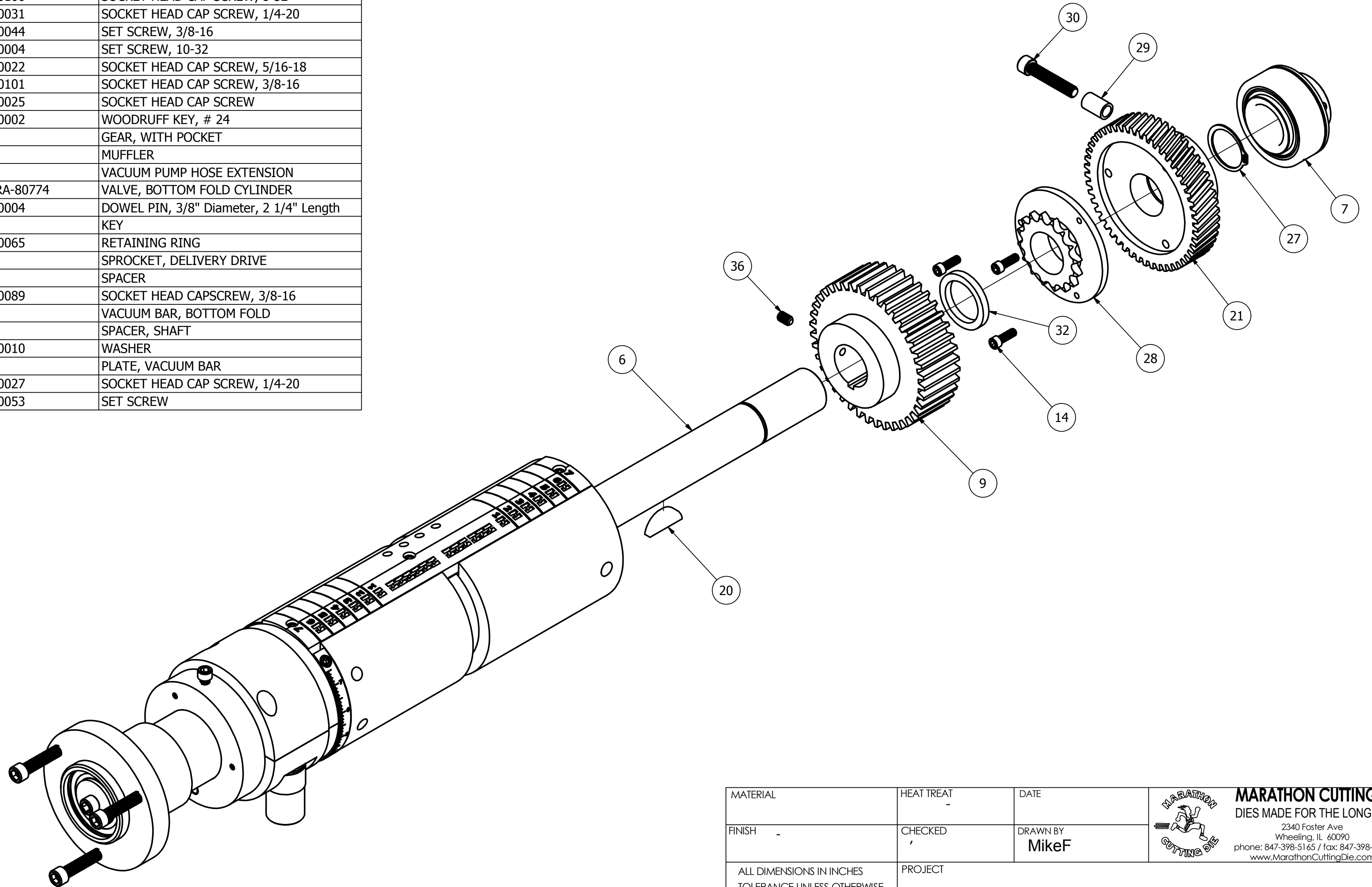

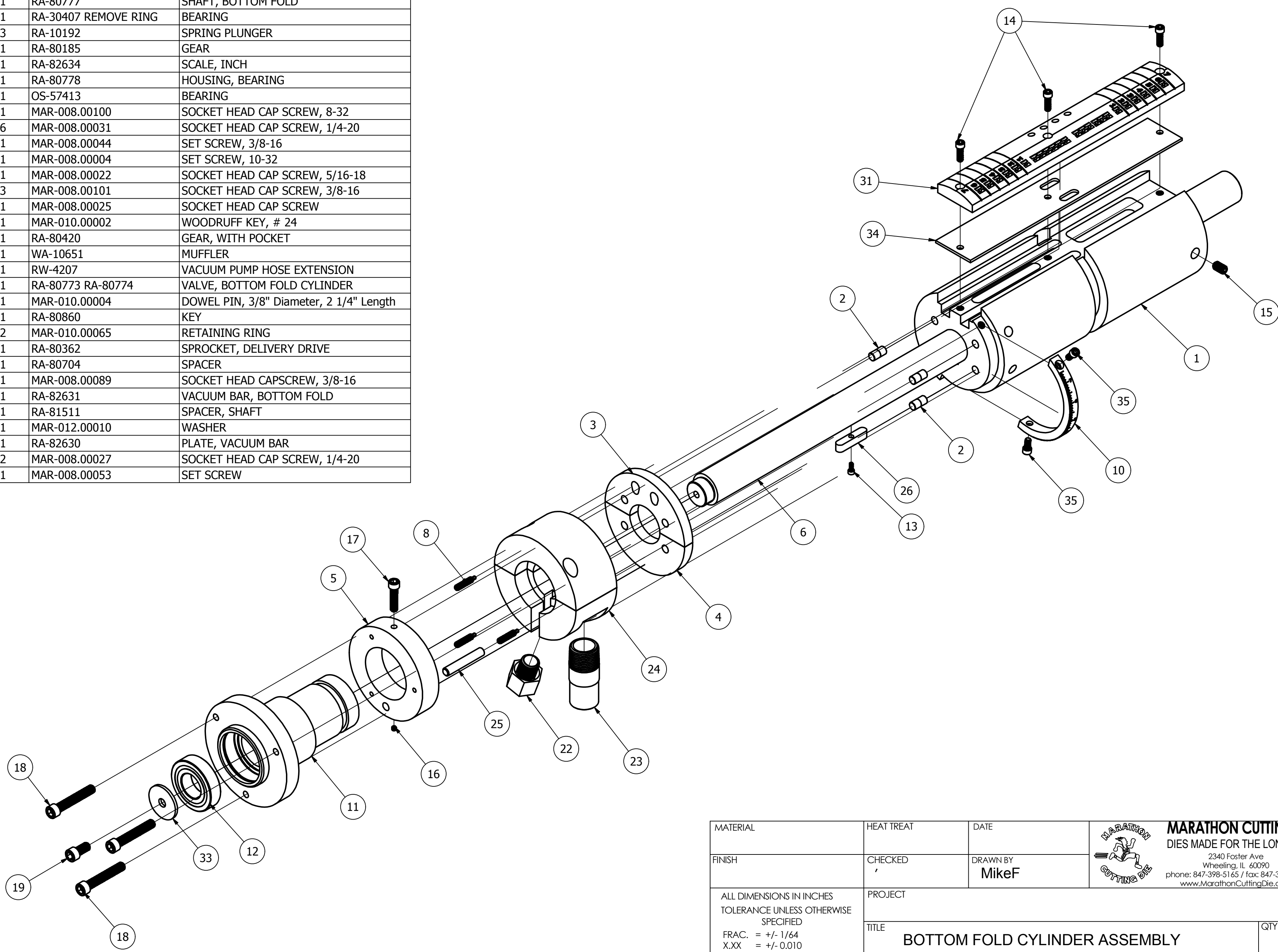



PARTS LIST			
ITEM	QTY	PART NUMBER	DESCRIPTION
1	1	RA-82629	CYLINDER, BOTTOM FOLD
2	4	RA-10220	ALIGNMENT PINS
3	1	RA-82633	SEAL, VACUUM
4	1	RA-82632	SEAL, VACUUM
5	1	RA-80405	RING, BOTTOM FOLD VALVE
6	1	RA-80777	SHAFT, BOTTOM FOLD
7	1	RA-30407 REMOVE RING	BEARING
8	3	RA-10192	SPRING PLUNGER
9	1	RA-80185	GEAR
10	1	RA-82634	SCALE, INCH
11	1	RA-80778	HOUSING, BEARING
12	1	OS-57413	BEARING
13	1	MAR-008.00100	SOCKET HEAD CAP SCREW, 8-32
14	6	MAR-008.00031	SOCKET HEAD CAP SCREW, 1/4-20
15	1	MAR-008.00044	SET SCREW, 3/8-16
16	1	MAR-008.00004	SET SCREW, 10-32
17	1	MAR-008.00022	SOCKET HEAD CAP SCREW, 5/16-18
18	3	MAR-008.00101	SOCKET HEAD CAP SCREW, 3/8-16
19	1	MAR-008.00025	SOCKET HEAD CAP SCREW
20	1	MAR-010.00002	WOODRUFF KEY, # 24
21	1	RA-80420	GEAR, WITH POCKET
22	1	WA-10651	MUFFLER
23	1	RW-4207	VACUUM PUMP HOSE EXTENSION
24	1	RA-80773 RA-80774	VALVE, BOTTOM FOLD CYLINDER
25	1	MAR-010.00004	DOWEL PIN, 3/8" Diameter, 2 1/4" Length
26	1	RA-80860	KEY
27	2	MAR-010.00065	RETAINING RING
28	1	RA-80362	SPROCKET, DELIVERY DRIVE
29	1	RA-80704	SPACER
30	1	MAR-008.00089	SOCKET HEAD CAPSCREW, 3/8-16
31	1	RA-82631	VACUUM BAR, BOTTOM FOLD
32	1	RA-81511	SPACER, SHAFT
33	1	MAR-012.00010	WASHER
34	1	RA-82630	PLATE, VACUUM BAR
35	2	MAR-008.00027	SOCKET HEAD CAP SCREW, 1/4-20
36	1	MAR-008.00053	SET SCREW



MATERIAL	HEAT TREAT	DATE	 <b>MARATHON CUTTING DIE</b> DIES MADE FOR THE LONG RUN 2340 Foster Ave Wheeling, IL 60090 phone: 847-398-5165 / fax: 847-398-5195 www.MarathonCuttingDie.com
FINISH	CHECKED	DRAWN BY <b>MikeF</b>	
ALL DIMENSIONS IN INCHES TOLERANCE UNLESS OTHERWISE SPECIFIED FRAC. = +/- 1/64 X.XX = +/- 0.010 X.XXX = +/- 0.005 X.XXXX = +/- 0.0005 ANG. = +/- 0.5 DEG		PROJECT	TITLE
		SCALE	<b>BOTTOM FOLD CYLINDER ASSEMBLY</b>
		REV	DWG. NO.
		SIZE <b>C</b>	<b>SA-RA-8270</b>
			QTY.
			SHEET
			<b>1 of 2</b>

PARTS LIST			
ITEM	QTY	PART NUMBER	DESCRIPTION
1	1	RA-82629	CYLINDER, BOTTOM FOLD
2	4	RA-10220	ALIGNMENT PINS
3	1	RA-82633	SEAL, VACUUM
4	1	RA-82632	SEAL, VACUUM
5	1	RA-80405	RING, BOTTOM FOLD VALVE
6	1	RA-80777	SHAFT, BOTTOM FOLD
7	1	RA-30407 REMOVE RING	BEARING
8	3	RA-10192	SPRING PLUNGER
9	1	RA-80185	GEAR
10	1	RA-82634	SCALE, INCH
11	1	RA-80778	HOUSING, BEARING
12	1	OS-57413	BEARING
13	1	MAR-008.00100	SOCKET HEAD CAP SCREW, 8-32
14	6	MAR-008.00031	SOCKET HEAD CAP SCREW, 1/4-20
15	1	MAR-008.00044	SET SCREW, 3/8-16
16	1	MAR-008.00004	SET SCREW, 10-32
17	1	MAR-008.00022	SOCKET HEAD CAP SCREW, 5/16-18
18	3	MAR-008.00101	SOCKET HEAD CAP SCREW, 3/8-16
19	1	MAR-008.00025	SOCKET HEAD CAP SCREW
20	1	MAR-010.00002	WOODRUFF KEY, # 24
21	1	RA-80420	GEAR, WITH POCKET
22	1	WA-10651	MUFFLER
23	1	RW-4207	VACUUM PUMP HOSE EXTENSION
24	1	RA-80773 RA-80774	VALVE, BOTTOM FOLD CYLINDER
25	1	MAR-010.00004	DOWEL PIN, 3/8" Diameter, 2 1/4" Length
26	1	RA-80860	KEY
27	2	MAR-010.00065	RETAINING RING
28	1	RA-80362	SPROCKET, DELIVERY DRIVE
29	1	RA-80704	SPACER
30	1	MAR-008.00089	SOCKET HEAD CAPSCREW, 3/8-16
31	1	RA-82631	VACUUM BAR, BOTTOM FOLD
32	1	RA-81511	SPACER, SHAFT
33	1	MAR-012.00010	WASHER
34	1	RA-82630	PLATE, VACUUM BAR
35	2	MAR-008.00027	SOCKET HEAD CAP SCREW, 1/4-20
36	1	MAR-008.00053	SET SCREW



MATERIAL	HEAT TREAT	DATE	 <b>MARATHON CUTTING DIE</b> DIES MADE FOR THE LONG RUN 2340 Foster Ave Wheeling, IL 60090 phone: 847-398-5165 / fax: 847-398-5195 <a href="http://www.MarathonCuttingDie.com">www.MarathonCuttingDie.com</a>
FINISH	CHECKED	DRAWN BY <b>MikeF</b>	
ALL DIMENSIONS IN INCHES TOLERANCE UNLESS OTHERWISE SPECIFIED FRAC. = +/- 1/64 X.XX = +/- 0.010 X.XXX = +/- 0.005 X.XXXX = +/- 0.0005 ANG. = +/- 0.5 DEG			PROJECT
			TITLE <b>BOTTOM FOLD CYLINDER ASSEMBLY</b>
SCALE		REV	DWG. NO. <b>SA-RA-8270</b>
			QTY. SHEET <b>2 of 2</b>