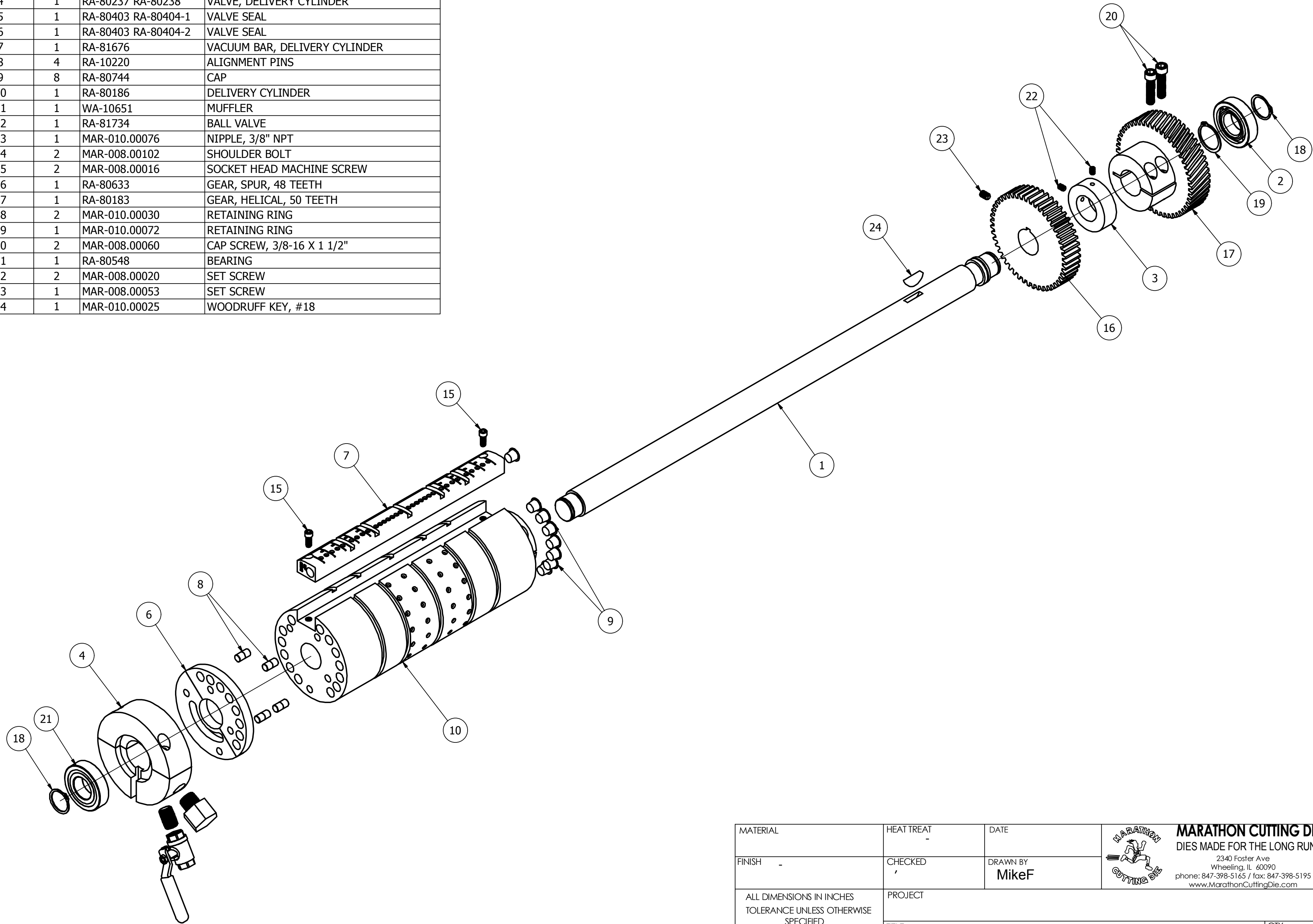



| PARTS LIST | | | |
|------------|-----|---------------------|-------------------------------|
| ITEM | QTY | PART NUMBER | DESCRIPTION |
| 1 | 1 | RA-80180 | SHAFT, DELIVERY CYLINDER |
| 2 | 1 | RA-81193 | BEARING |
| 3 | 1 | RA-80743 | COLLAR |
| 4 | 1 | RA-80237 RA-80238 | VALVE, DELIVERY CYLINDER |
| 5 | 1 | RA-80403 RA-80404-1 | VALVE SEAL |
| 6 | 1 | RA-80403 RA-80404-2 | VALVE SEAL |
| 7 | 1 | RA-81676 | VACUUM BAR, DELIVERY CYLINDER |
| 8 | 4 | RA-10220 | ALIGNMENT PINS |
| 9 | 8 | RA-80744 | CAP |
| 10 | 1 | RA-80186 | DELIVERY CYLINDER |
| 11 | 1 | WA-10651 | MUFFLER |
| 12 | 1 | RA-81734 | BALL VALVE |
| 13 | 1 | MAR-010.00076 | NIPPLE, 3/8" NPT |
| 14 | 2 | MAR-008.00102 | SHOULDER BOLT |
| 15 | 2 | MAR-008.00016 | SOCKET HEAD MACHINE SCREW |
| 16 | 1 | RA-80633 | GEAR, SPUR, 48 TEETH |
| 17 | 1 | RA-80183 | GEAR, HELICAL, 50 TEETH |
| 18 | 2 | MAR-010.00030 | RETAINING RING |
| 19 | 1 | MAR-010.00072 | RETAINING RING |
| 20 | 2 | MAR-008.00060 | CAP SCREW, 3/8-16 X 1 1/2" |
| 21 | 1 | RA-80548 | BEARING |
| 22 | 2 | MAR-008.00020 | SET SCREW |
| 23 | 1 | MAR-008.00053 | SET SCREW |
| 24 | 1 | MAR-010.00025 | WOODRUFF KEY, #18 |



| | | | |
|--|------------|--------------------------|---|
| MATERIAL | HEAT TREAT | DATE |  MARATHON CUTTING DIE DIES MADE FOR THE LONG RUN 2340 Foster Ave Wheeling, IL 60090 phone: 847-398-5165 / fax: 847-398-5195 www.MarathonCuttingDie.com |
| FINISH | CHECKED | DRAWN BY MikeF | |
| ALL DIMENSIONS IN INCHES TOLERANCE UNLESS OTHERWISE SPECIFIED FRAC. = +/- 1/64 X.XX = +/- 0.010 X.XXX = +/- 0.005 X.XXXX = +/- 0.0005 ANG. = +/- 0.5 DEG | | | PROJECT |
| | | | TITLE DELIVERY CYLINDER ASSEMBLY |
| SCALE | | REV | DWG. NO. SA-RA-8011 |
| | | | QTY. SHEET 1 of 1 |