
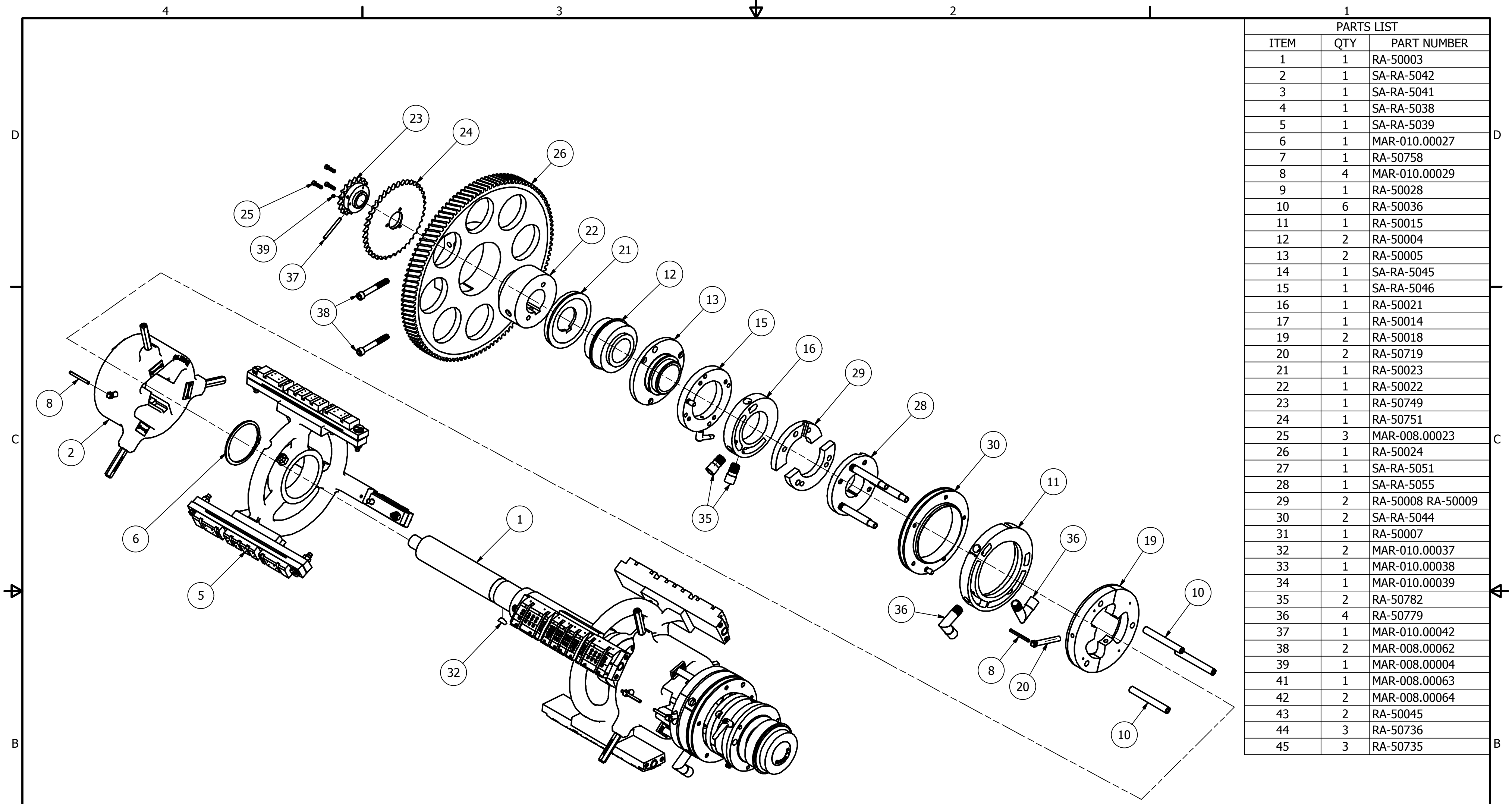


PARTS LIST		
ITEM	QTY	PART NUMBER
1	1	RA-50003
2	1	SA-RA-5042
3	1	SA-RA-5041
4	1	SA-RA-5038
5	1	SA-RA-5039
6	1	MAR-010.00027
7	1	RA-50758
8	4	MAR-010.00029
9	1	RA-50028
10	6	RA-50036
11	1	RA-50015
12	2	RA-50004
13	2	RA-50005
14	1	SA-RA-5045
15	1	SA-RA-5046
16	1	RA-50021
17	1	RA-50014
19	2	RA-50018
20	2	RA-50719
21	1	RA-50023
22	1	RA-50022
23	1	RA-50749
24	1	RA-50751
25	3	MAR-008.00023
26	1	RA-50024
27	1	SA-RA-5051
28	1	SA-RA-5055
29	2	RA-50008 RA-50009
30	2	SA-RA-5044
31	1	RA-50007
32	2	MAR-010.00037
33	1	MAR-010.00038
34	1	MAR-010.00039
35	2	RA-50782
36	4	RA-50779
37	1	MAR-010.00042
38	2	MAR-008.00062
39	1	MAR-008.00004
41	1	MAR-008.00063
42	2	MAR-008.00064
43	2	RA-50045
44	3	RA-50736
45	3	RA-50735

All of the parts and sub-assemblies shown are available on MarathonParts.net.

For partial or complete Collator Shaft Assemblies call for a quote! (847) 398-5165


MATERIAL	HEAT TREAT	DATE	 MARATHON CUTTING DIE DIES MADE FOR THE LONG RUN 2340 Foster Ave Wheeling, IL 60090 phone: 847-398-5165 / fax: 847-398-5195 www.MarathonCuttingDie.com
FINISH	CHECKED	DRAWN BY MikeF	
ALL DIMENSIONS IN INCHES TOLERANCE UNLESS OTHERWISE SPECIFIED FRAC. = +/- 1/64 X.XX = +/- 0.010 X.XXX = +/- 0.005 X.XXXX = +/- 0.0005 ANG. = +/- 0.5 DEG		PROJECT	
TITLE			QTY.
COLLATOR SHAFT ASSEMBLY			
SCALE	REV	SIZE	DWG. NO.
		C	SA-RA-5043
			SHEET
			1 of 2



PARTS LIST		
ITEM	QTY	PART NUMBER
1	1	RA-50003
2	1	SA-RA-5042
3	1	SA-RA-5041
4	1	SA-RA-5038
5	1	SA-RA-5039
6	1	MAR-010.00027
7	1	RA-50758
8	4	MAR-010.00029
9	1	RA-50028
10	6	RA-50036
11	1	RA-50015
12	2	RA-50004
13	2	RA-50005
14	1	SA-RA-5045
15	1	SA-RA-5046
16	1	RA-50021
17	1	RA-50014
19	2	RA-50018
20	2	RA-50719
21	1	RA-50023
22	1	RA-50022
23	1	RA-50749
24	1	RA-50751
25	3	MAR-008.00023
26	1	RA-50024
27	1	SA-RA-5051
28	1	SA-RA-5055
29	2	RA-50008 RA-50009
30	2	SA-RA-5044
31	1	RA-50007
32	2	MAR-010.00037
33	1	MAR-010.00038
34	1	MAR-010.00039
35	2	RA-50782
36	4	RA-50779
37	1	MAR-010.00042
38	2	MAR-008.00062
39	1	MAR-008.00004
41	1	MAR-008.00063
42	2	MAR-008.00064
43	2	RA-50045
44	3	RA-50736
45	3	RA-50735

All of the parts and sub-assemblies shown are available on MarathonParts.net.

For partial or complete Collator Shaft Assemblies call for a quote! (847) 398-5165

MATERIAL	HEAT TREAT	DATE	 MARATHON CUTTING DIE DIES MADE FOR THE LONG RUN 2340 Foster Ave Wheeling, IL 60090 phone: 847-398-5165 / fax: 847-398-5195 www.MarathonCuttingDie.com	
FINISH	CHECKED	DRAWN BY MikeF		
ALL DIMENSIONS IN INCHES TOLERANCE UNLESS OTHERWISE SPECIFIED FRAC. = +/- 1/64 X.XX = +/- 0.010 X.XXX = +/- 0.005 X.XXXX = +/- 0.0005 ANG. = +/- 0.5 DEG	PROJECT		QTY.	
	TITLE COLLATOR SHAFT ASSEMBLY			
SCALE	REV	SIZE C	DWG. NO. SA-RA-5043	SHEET 2 of 2