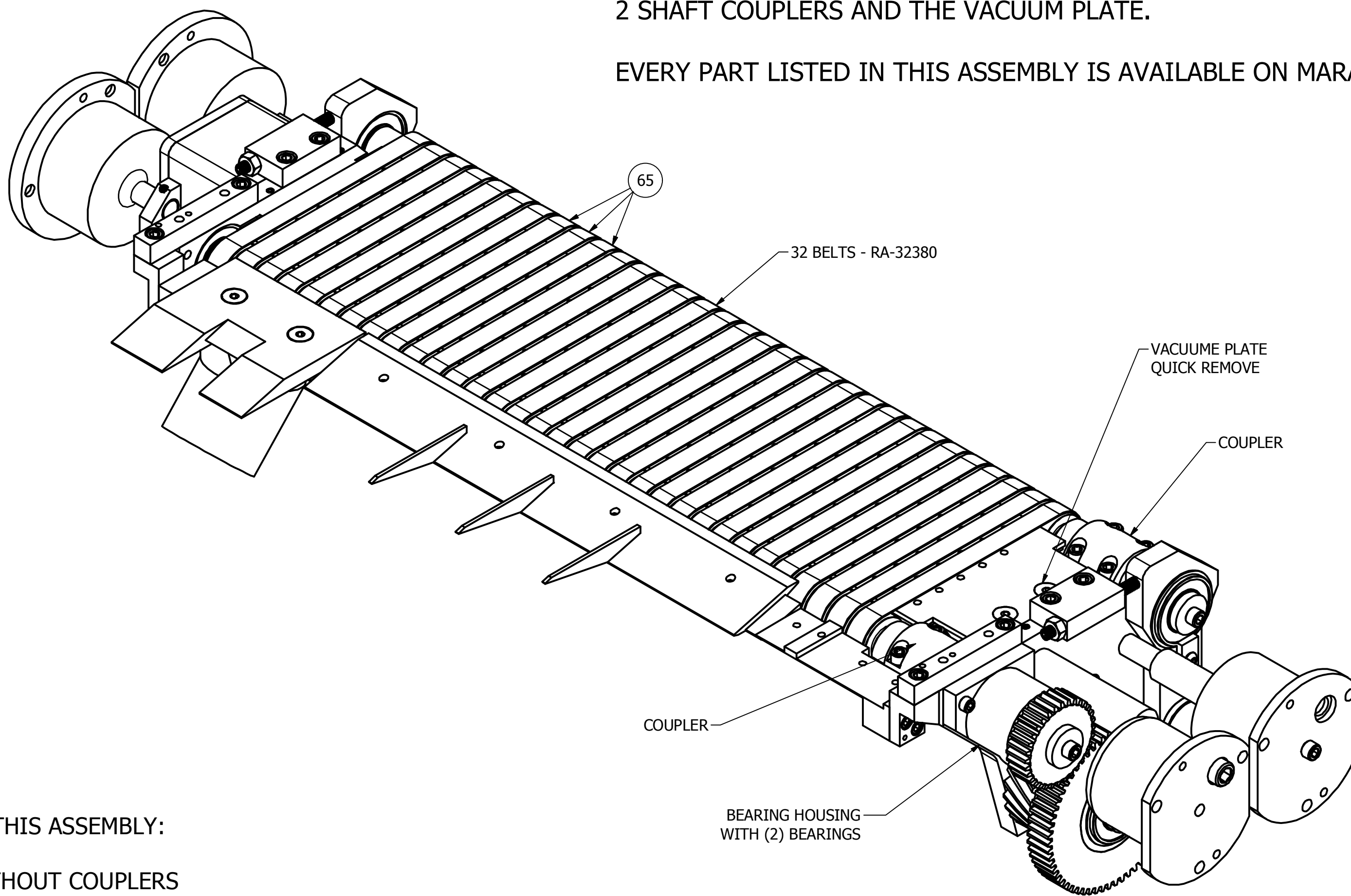


SA-RA-3160 WITH COUPLERS, EASY BELT ACCESS

THE ORIGINAL VACUUM TABLE REQUIRED THAT THE ENTIRE VACUUM TABLE ASSEMBLY BE REMOVED TO REPLACE THE BELTS. IN THIS VERSION THE BELTS CAN BE REPLACED QUICKLY WITHOUT REMOVAL OF THE ASSEMBLY BY SIMPLY REMOVING 2 SHAFT COUPLERS AND THE VACUUM PLATE.

EVERY PART LISTED IN THIS ASSEMBLY IS AVAILABLE ON MARATHONPARTS.NET




VARIATIONS ON THIS ASSEMBLY:

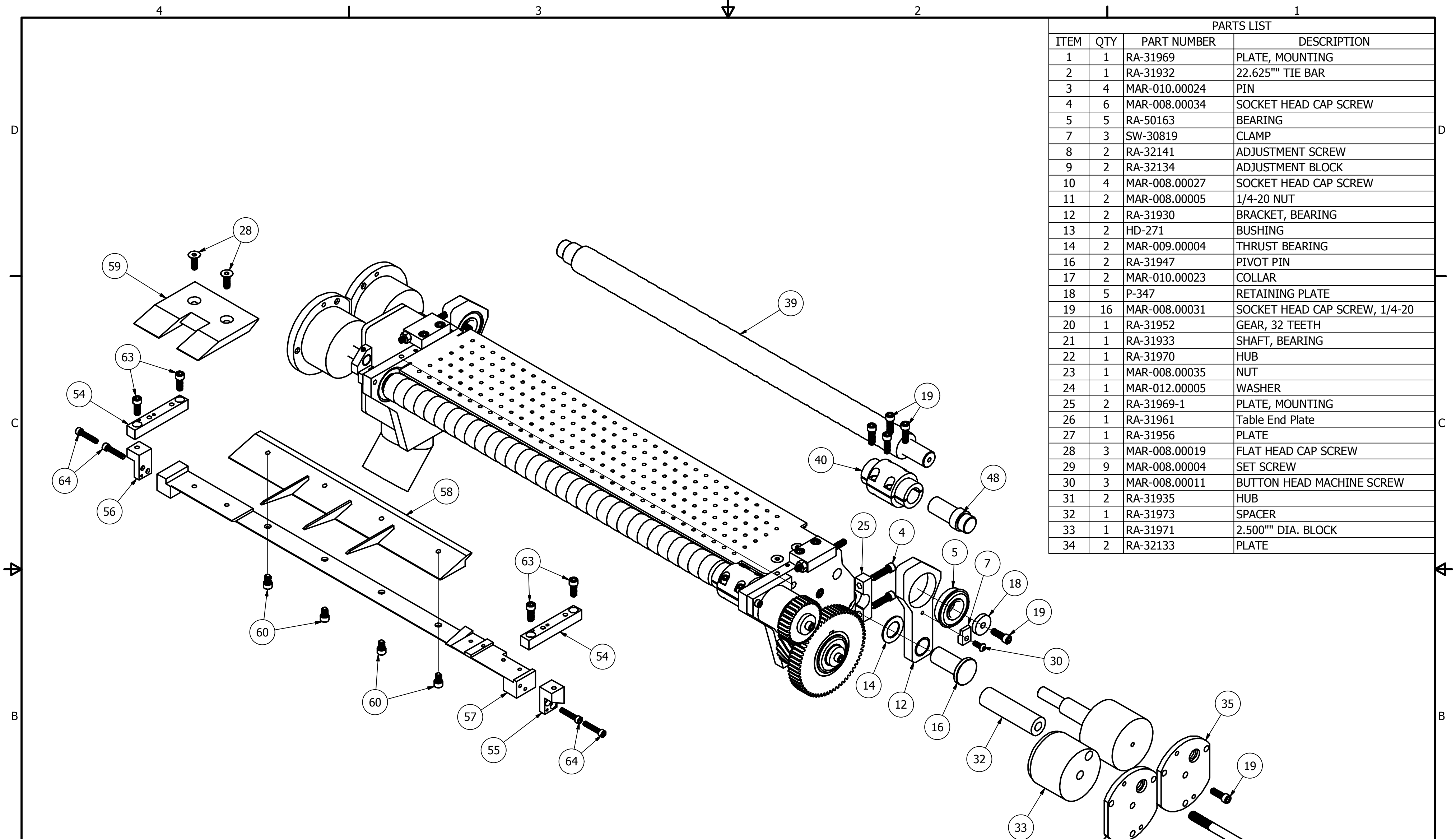
- SA-RA-3160 WITHOUT COUPLERS
THIS IS THE ORIGINAL DESIGN WITHOUT THE COUPLERS. THE ENTIRE ASSEMBLY MUST BE REMOVED TO CHANGE THE BELTS.

- SA-RA-3160 WITHOUT BEARING HOUSING
A VARIATION OF THE DESIGN THAT USES THE ORIGINAL SINGLE BEARING DESIGN TO SUPPORT THE STUB SHAFT WITH GEAR.

DRAWINGS AND PARTS FOR BOTH OF THESE DESIGNS ARE AVAILABLE ON MARATHONPARTS.NET


MARATHONPARTS.NET CAN ALSO PROVIDE AN UPDATE KIT TO CONVERT YOUR VACUUM TABLE TO THE EASY TO ACCESS BELT DESIGN.

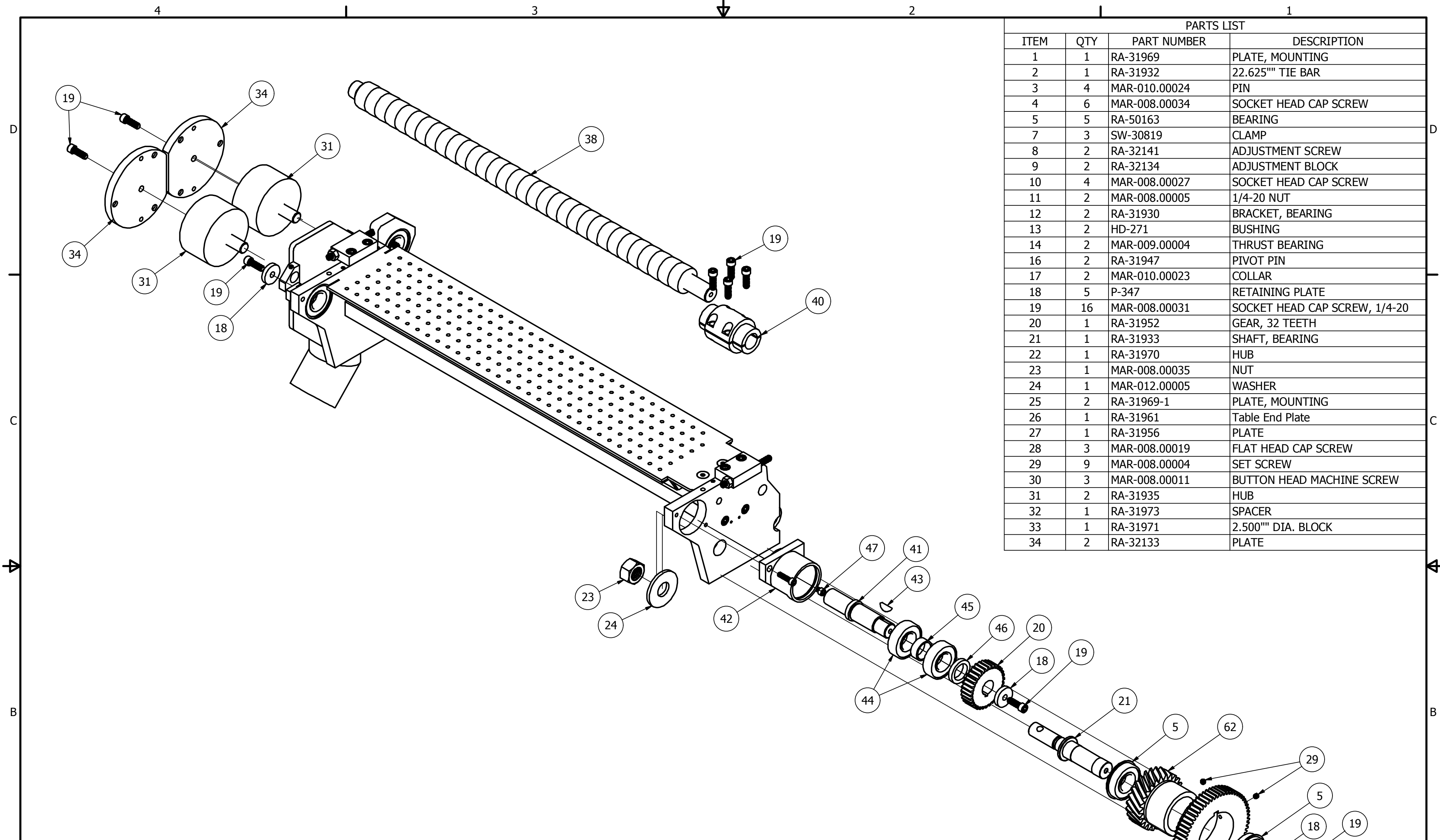
MATERIAL	HEAT TREAT	DATE	 MARATHON CUTTING DIE DIES MADE FOR THE LONG RUN 2340 Foster Ave Wheeling, IL 60090 phone: 847-398-5165 / fax: 847-398-5195 www.MarathonCuttingDie.com
FINISH	CHECKED	DRAWN BY MikeF	
ALL DIMENSIONS IN INCHES TOLERANCE UNLESS OTHERWISE SPECIFIED FRAC. = +/- 1/64 X.XX = +/- 0.010 X.XXX = +/- 0.005 X.XXXX = +/- 0.0005 ANG. = +/- 0.5 DEG			PROJECT
			TITLE VACUUM TABLE WITH COUPLERS
			QTY.
SCALE		REV	SIZE C
		DWG. NO. SA-RA-3160 WITH COUPLERS	
			SHEET 4



PARTS LIST			
ITEM	QTY	PART NUMBER	DESCRIPTION
1	1	RA-31969	PLATE, MOUNTING
2	1	RA-31932	22.625" TIE BAR
3	4	MAR-010.00024	PIN
4	6	MAR-008.00034	SOCKET HEAD CAP SCREW
5	5	RA-50163	BEARING
7	3	SW-30819	CLAMP
8	2	RA-32141	ADJUSTMENT SCREW
9	2	RA-32134	ADJUSTMENT BLOCK
10	4	MAR-008.00027	SOCKET HEAD CAP SCREW
11	2	MAR-008.00005	1/4-20 NUT
12	2	RA-31930	BRACKET, BEARING
13	2	HD-271	BUSHING
14	2	MAR-009.00004	THRUST BEARING
16	2	RA-31947	PIVOT PIN
17	2	MAR-010.00023	COLLAR
18	5	P-347	RETAINING PLATE
19	16	MAR-008.00031	SOCKET HEAD CAP SCREW, 1/4-20
20	1	RA-31952	GEAR, 32 TEETH
21	1	RA-31933	SHAFT, BEARING
22	1	RA-31970	HUB
23	1	MAR-008.00035	NUT
24	1	MAR-012.00005	WASHER
25	2	RA-31969-1	PLATE, MOUNTING
26	1	RA-31961	Table End Plate
27	1	RA-31956	PLATE
28	3	MAR-008.00019	FLAT HEAD CAP SCREW
29	9	MAR-008.00004	SET SCREW
30	3	MAR-008.00011	BUTTON HEAD MACHINE SCREW
31	2	RA-31935	HUB
32	1	RA-31973	SPACER
33	1	RA-31971	2.500" DIA. BLOCK
34	2	RA-32133	PLATE


PARTS LIST				PARTS LIST			
ITEM	QTY	PART NUMBER	DESCRIPTION	ITEM	QTY	PART NUMBER	DESCRIPTION
51	2	MAR-012.00002	FLAT WASHER	35	2	RA-32131 RA-32132	PLATE
52	1	RA-32378	VACUUM PLATE	36	1	MAR-008.00037	SOCKET HEAD CAP SCREW
53	2	MAR-008.00070	FLAT HEAD SCREW	38	1	RA-32929	SHAFT
54	2	RA-32371	MOUNTING BAR	39	1	RA-32930	SHAFT
55	1	RA-32372	MOUNTING BLOCK	40	2	RA-32933	COUPLER
56	1	RA-32373	MOUNTING BLOCK	41	1	RA-32931	STUB SHAFT
57	1	RA-32374	STRIPPER HOLDER	42	1	RA-32934	BEARING HOUSING
58	1	RA-32353	STRIPPER, VACUUM TABLE	43	1	MAR-010.00020	WOODRUFF KEY
59	1	RA-32354	PLATE, STRIPPING	44	2	RA-60081	BEARING
60	4	MAR-008.00071	SOCKET HEAD CAP SCREW	45	1	RA-32927	BEARING SPACER
61	1	RA-32404	GEAR, 64 TEETH	46	1	RA-32928	SPACER, GEAR
62	1	RA-32403	GEAR, 25T HELIX	47	2	MAR-008.00023	SOCKET HEAD MACHINE SCREW
63	4	MAR-008.00016	SOCKET HEAD MACHINE SCREW	48	1	RA-32932	STUB SHAFT
64	4	MAR-008.00033	SOCKET HEAD CAP SCREW, 10-32	49	1	RA-32375	SUPPORT BLOCK
65	32	RA-32380	BELT	50	2	MAR-008.00048	SOCKET HEAD CAP SCREW

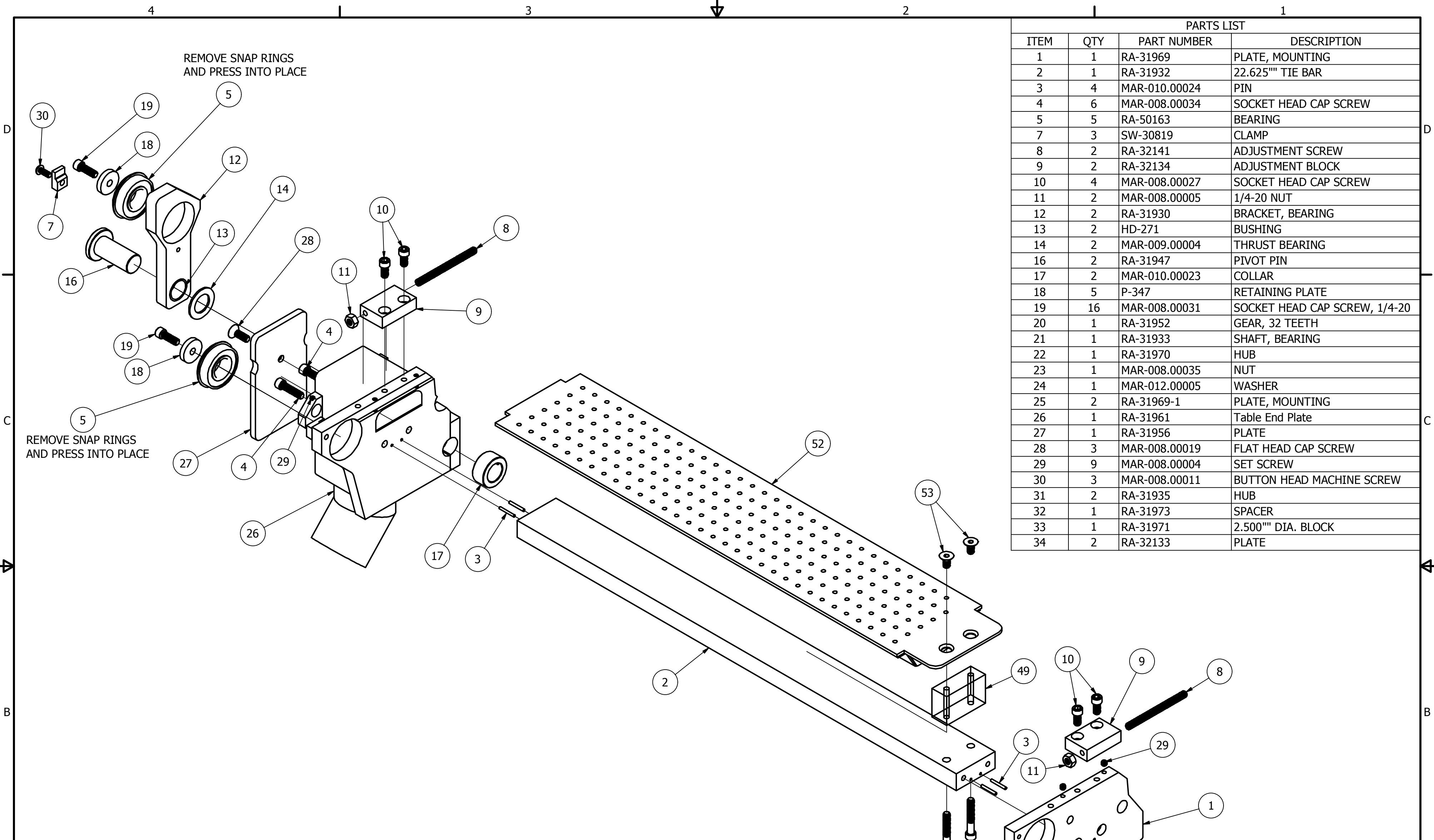
MATERIAL	HEAT TREAT	DATE	 MARATHON CUTTING DIE DIES MADE FOR THE LONG RUN 2340 Foster Ave Wheeling, IL 60090 phone: 847-398-5165 / fax: 847-398-5195 www.MarathonCuttingDie.com
FINISH	CHECKED	DRAWN BY MikeF	
ALL DIMENSIONS IN INCHES TOLERANCE UNLESS OTHERWISE SPECIFIED FRAC. = +/- 1/64 X.XX = +/- 0.010 X.XXX = +/- 0.005 X.XXXX = +/- 0.0005 ANG. = +/- 0.5 DEG			PROJECT
TITLE			QTY.
VACUUM TABLE WITH COUPLERS			
SCALE	REV	SIZE C	DWG. NO. SA-RA-3160 WITH COUPLERS
			SHEET 4



PARTS LIST			
ITEM	QTY	PART NUMBER	DESCRIPTION
1	1	RA-31969	PLATE, MOUNTING
2	1	RA-31932	22.625" TIE BAR
3	4	MAR-010.00024	PIN
4	6	MAR-008.00034	SOCKET HEAD CAP SCREW
5	5	RA-50163	BEARING
7	3	SW-30819	CLAMP
8	2	RA-32141	ADJUSTMENT SCREW
9	2	RA-32134	ADJUSTMENT BLOCK
10	4	MAR-008.00027	SOCKET HEAD CAP SCREW
11	2	MAR-008.00005	1/4-20 NUT
12	2	RA-31930	BRACKET, BEARING
13	2	HD-271	BUSHING
14	2	MAR-009.00004	THRUST BEARING
16	2	RA-31947	PIVOT PIN
17	2	MAR-010.00023	COLLAR
18	5	P-347	RETAINING PLATE
19	16	MAR-008.00031	SOCKET HEAD CAP SCREW, 1/4-20
20	1	RA-31952	GEAR, 32 TEETH
21	1	RA-31933	SHAFT, BEARING
22	1	RA-31970	HUB
23	1	MAR-008.00035	NUT
24	1	MAR-012.00005	WASHER
25	2	RA-31969-1	PLATE, MOUNTING
26	1	RA-31961	Table End Plate
27	1	RA-31956	PLATE
28	3	MAR-008.00019	FLAT HEAD CAP SCREW
29	9	MAR-008.00004	SET SCREW
30	3	MAR-008.00011	BUTTON HEAD MACHINE SCREW
31	2	RA-31935	HUB
32	1	RA-31973	SPACER
33	1	RA-31971	2.500" DIA. BLOCK
34	2	RA-32133	PLATE


PARTS LIST				PARTS LIST			
ITEM	QTY	PART NUMBER	DESCRIPTION	ITEM	QTY	PART NUMBER	DESCRIPTION
51	2	MAR-012.00002	FLAT WASHER	35	2	RA-32131 RA-32132	PLATE
52	1	RA-32378	VACUUM PLATE	36	1	MAR-008.00037	SOCKET HEAD CAP SCREW
53	2	MAR-008.00070	FLAT HEAD SCREW	38	1	RA-32929	SHAFT
54	2	RA-32371	MOUNTING BAR	39	1	RA-32930	SHAFT
55	1	RA-32372	MOUNTING BLOCK	40	2	RA-32933	COUPLER
56	1	RA-32373	MOUNTING BLOCK	41	1	RA-32931	STUB SHAFT
57	1	RA-32374	STRIPPER HOLDER	42	1	RA-32934	BEARING HOUSING
58	1	RA-32353	STRIPPER, VACUUM TABLE	43	1	MAR-010.00020	WOODRUFF KEY
59	1	RA-32354	PLATE, STRIPPING	44	2	RA-60081	BEARING
60	4	MAR-008.00071	SOCKET HEAD CAP SCREW	45	1	RA-32927	BEARING SPACER
61	1	RA-32404	GEAR, 64 TEETH	46	1	RA-32928	SPACER, GEAR
62	1	RA-32403	GEAR, 25T HELIX	47	2	MAR-008.00023	SOCKET HEAD MACHINE SCREW
63	4	MAR-008.00016	SOCKET HEAD MACHINE SCREW	48	1	RA-32932	STUB SHAFT
64	4	MAR-008.00033	SOCKET HEAD CAP SCREW, 10-32	49	1	RA-32375	SUPPORT BLOCK
65	32	RA-32380	BELT	50	2	MAR-008.00048	SOCKET HEAD CAP SCREW

MATERIAL	HEAT TREAT	DATE	 MARATHON CUTTING DIE DIES MADE FOR THE LONG RUN 2340 Foster Ave Wheeling, IL 60090 phone: 847-398-5165 / fax: 847-398-5195 www.MarathonCuttingDie.com
FINISH	CHECKED	DRAWN BY MikeF	
ALL DIMENSIONS IN INCHES TOLERANCE UNLESS OTHERWISE SPECIFIED FRAC. = +/- 1/64 X.XX = +/- 0.010 X.XXX = +/- 0.005 X.XXXX = +/- 0.0005 ANG. = +/- 0.5 DEG			PROJECT
TITLE			QTY.
VACUUM TABLE WITH COUPLERS			4
SCALE	REV	SIZE C	DWG. NO. SA-RA-3160 WITH COUPLERS
			SHEET 4



PARTS LIST			
ITEM	QTY	PART NUMBER	DESCRIPTION
1	1	RA-31969	PLATE, MOUNTING
2	1	RA-31932	22.625" TIE BAR
3	4	MAR-010.00024	PIN
4	6	MAR-008.00034	SOCKET HEAD CAP SCREW
5	5	RA-50163	BEARING
7	3	SW-30819	CLAMP
8	2	RA-32141	ADJUSTMENT SCREW
9	2	RA-32134	ADJUSTMENT BLOCK
10	4	MAR-008.00027	SOCKET HEAD CAP SCREW
11	2	MAR-008.00005	1/4-20 NUT
12	2	RA-31930	BRACKET, BEARING
13	2	HD-271	BUSHING
14	2	MAR-009.00004	THRUST BEARING
16	2	RA-31947	PIVOT PIN
17	2	MAR-010.00023	COLLAR
18	5	P-347	RETAINING PLATE
19	16	MAR-008.00031	SOCKET HEAD CAP SCREW, 1/4-20
20	1	RA-31952	GEAR, 32 TEETH
21	1	RA-31933	SHAFT, BEARING
22	1	RA-31970	HUB
23	1	MAR-008.00035	NUT
24	1	MAR-012.00005	WASHER
25	2	RA-31969-1	PLATE, MOUNTING
26	1	RA-31961	Table End Plate
27	1	RA-31956	PLATE
28	3	MAR-008.00019	FLAT HEAD CAP SCREW
29	9	MAR-008.00004	SET SCREW
30	3	MAR-008.00011	BUTTON HEAD MACHINE SCREW
31	2	RA-31935	HUB
32	1	RA-31973	SPACER
33	1	RA-31971	2.500" DIA. BLOCK
34	2	RA-32133	PLATE

PARTS LIST				PARTS LIST			
ITEM	QTY	PART NUMBER	DESCRIPTION	ITEM	QTY	PART NUMBER	DESCRIPTION
51	2	MAR-012.00002	FLAT WASHER	35	2	RA-32131 RA-32132	PLATE
52	1	RA-32378	VACUUM PLATE	36	1	MAR-008.00037	SOCKET HEAD CAP SCREW
53	2	MAR-008.00070	FLAT HEAD SCREW	38	1	RA-32929	SHAFT
54	2	RA-32371	MOUNTING BAR	39	1	RA-32930	SHAFT
55	1	RA-32372	MOUNTING BLOCK	40	2	RA-32933	COUPLER
56	1	RA-32373	MOUNTING BLOCK	41	1	RA-32931	STUB SHAFT
57	1	RA-32374	STRIPPER HOLDER	42	1	RA-32934	BEARING HOUSING
58	1	RA-32353	STRIPPER, VACUUM TABLE	43	1	MAR-010.00020	WOODRUFF KEY
59	1	RA-32354	PLATE, STRIPPING	44	2	RA-60081	BEARING
60	4	MAR-008.00071	SOCKET HEAD CAP SCREW	45	1	RA-32927	BEARING SPACER
61	1	RA-32404	GEAR, 64 TEETH	46	1	RA-32928	SPACER, GEAR
62	1	RA-32403	GEAR, 25T HELIX	47	2	MAR-008.00023	SOCKET HEAD MACHINE SCREW
63	4	MAR-008.00016	SOCKET HEAD MACHINE SCREW	48	1	RA-32932	STUB SHAFT
64	4	MAR-008.00033	SOCKET HEAD CAP SCREW, 10-32	49	1	RA-32375	SUPPORT BLOCK
65	32	RA-32380	BELT	50	2	MAR-008.00048	SOCKET HEAD CAP SCREW

MATERIAL	HEAT TREAT	DATE	 MARATHON CUTTING DIE DIES MADE FOR THE LONG RUN 2340 Foster Ave Wheeling, IL 60090 phone: 847-398-5165 / fax: 847-398-5195 www.MarathonCuttingDie.com
FINISH	CHECKED	DRAWN BY MikeF	
ALL DIMENSIONS IN INCHES TOLERANCE UNLESS OTHERWISE SPECIFIED FRAC. = +/- 1/64 X.XX = +/- 0.010 X.XXX = +/- 0.005 X.XXXX = +/- 0.0005 ANG. = +/- 0.5 DEG			PROJECT
TITLE			QTY.
VACUUM TABLE WITH COUPLERS			SA-RA-3160 WITH COUPLERS 4
SCALE	REV	SIZE C	DWG. NO.
SHEET			4