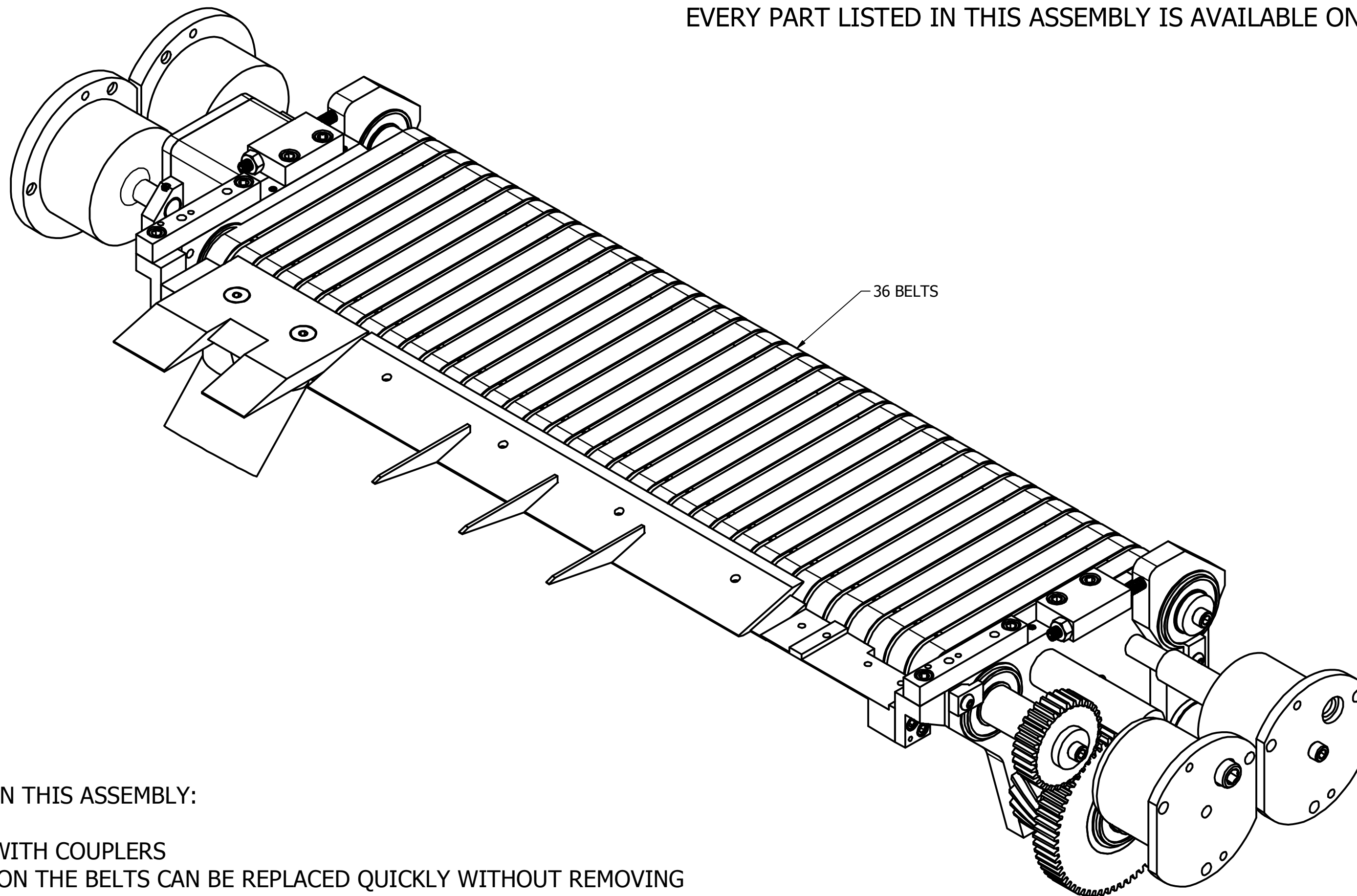


SA-RA-3160 WITHOUT COUPLERS

IN THIS VERSION THE SHAFT ARE ONE PEICE AND THE ENTIRE VACUUM TABLE ASSEMBLY SHOWN MUST BE REMOVED TO REPLACE THE BELTS.

EVERY PART LISTED IN THIS ASSEMBLY IS AVAILABLE ON MARATHONPARTS.NET



VARIATIONS ON THIS ASSEMBLY:

- SA-RA-3160 WITH COUPLERS


IN THIS VERSION THE BELTS CAN BE REPLACED QUICKLY WITHOUT REMOVING THE ENTIRE VACUUM TABLE ASSEMBLY. SIMPLY REMOVE 2 SHAFT COUPLERS AND THE VACUUM LATE.

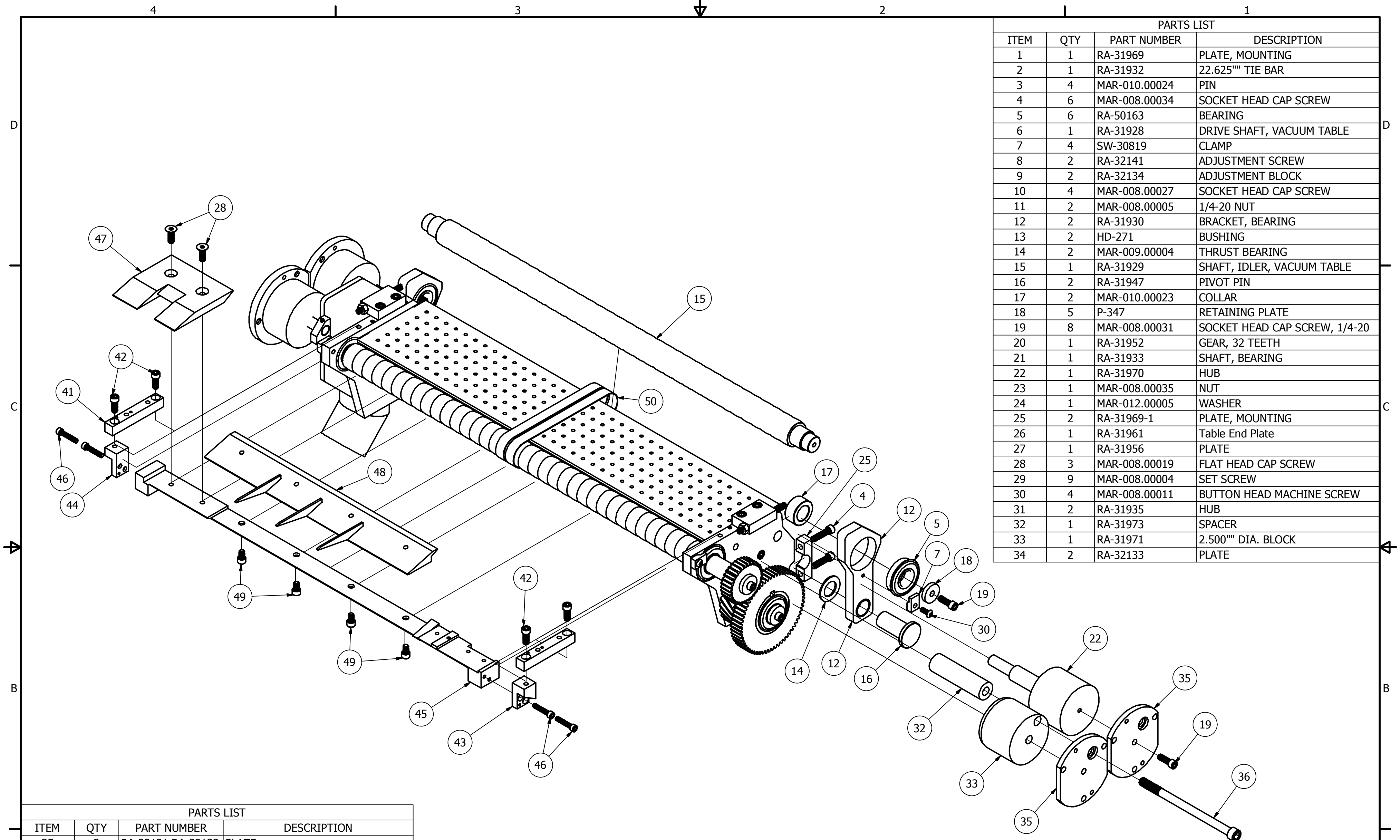
- SA-RA-3160 WITHOUT BEARING HOUSING

A VARIATION OF THE DESIGN THAT USES THE ORIGINAL SINGLE BEARING DESIGN TO SUPPORT THE STUB SHAFT WITH GEAR.

DRAWINGS AND PARTS FOR BOTH OF THESE DESIGNS ARE AVAILABLE ON MARATHONPARTS.NET


MARATHONPARTS.NET CAN ALSO PROVIDE AN UPDATE KIT TO CONVERT YOUR VACUUM TABLE TO THE EASY TO ACCESS BELT DESIGN.

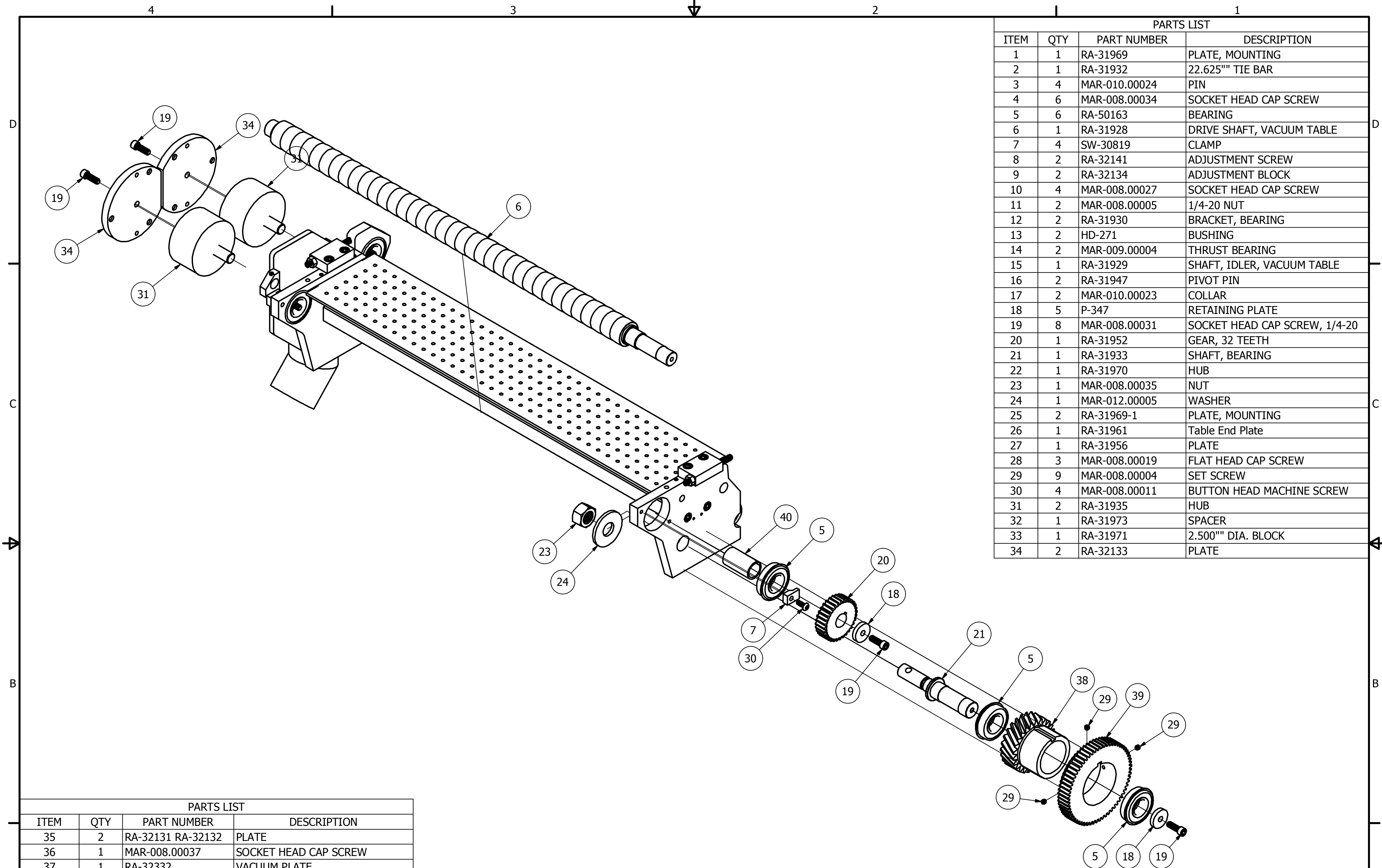
MATERIAL	HEAT TREAT	DATE	 MARATHON CUTTING DIE DIES MADE FOR THE LONG RUN 2340 Foster Ave Wheeling, IL 60090 phone: 847-398-5165 / fax: 847-398-5195 www.MarathonCuttingDie.com
FINISH	CHECKED	DRAWN BY MikeF	
ALL DIMENSIONS IN INCHES TOLERANCE UNLESS OTHERWISE SPECIFIED FRAC. = +/- 1/64 X.XX = +/- 0.010 X.XXX = +/- 0.005 X.XXXX = +/- 0.0005 ANG. = +/- 0.5 DEG		PROJECT	TITLE
			VACUUM TABLE WITHOUT COUPLERS
		SCALE	REV
		SIZE C	DWG. NO. SA-RA-3160 VER 1
			QTY.
			SHEET 1 of 4



PARTS LIST			
ITEM	QTY	PART NUMBER	DESCRIPTION
1	1	RA-31969	PLATE, MOUNTING
2	1	RA-31932	22.625" TIE BAR
3	4	MAR-010.00024	PIN
4	6	MAR-008.00034	SOCKET HEAD CAP SCREW
5	6	RA-50163	BEARING
6	1	RA-31928	DRIVE SHAFT, VACUUM TABLE
7	4	SW-30819	CLAMP
8	2	RA-32141	ADJUSTMENT SCREW
9	2	RA-32134	ADJUSTMENT BLOCK
10	4	MAR-008.00027	SOCKET HEAD CAP SCREW
11	2	MAR-008.00005	1/4-20 NUT
12	2	RA-31930	BRACKET, BEARING
13	2	HD-271	BUSHING
14	2	MAR-009.00004	THRUST BEARING
15	1	RA-31929	SHAFT, IDLER, VACUUM TABLE
16	2	RA-31947	PIVOT PIN
17	2	MAR-010.00023	COLLAR
18	5	P-347	RETAINING PLATE
19	8	MAR-008.00031	SOCKET HEAD CAP SCREW, 1/4-20
20	1	RA-31952	GEAR, 32 TEETH
21	1	RA-31933	SHAFT, BEARING
22	1	RA-31970	HUB
23	1	MAR-008.00035	NUT
24	1	MAR-012.00005	WASHER
25	2	RA-31969-1	PLATE, MOUNTING
26	1	RA-31961	Table End Plate
27	1	RA-31956	PLATE
28	3	MAR-008.00019	FLAT HEAD CAP SCREW
29	9	MAR-008.00004	SET SCREW
30	4	MAR-008.00011	BUTTON HEAD MACHINE SCREW
31	2	RA-31935	HUB
32	1	RA-31973	SPACER
33	1	RA-31971	2.500" DIA. BLOCK
34	2	RA-32133	PLATE


PARTS LIST			
ITEM	QTY	PART NUMBER	DESCRIPTION
35	2	RA-32131 RA-32132	PLATE
36	1	MAR-008.00037	SOCKET HEAD CAP SCREW
37	1	RA-32332	VACUUM PLATE
38	1	RA-32403	GEAR, 25T HELIX
39	1	RA-32404	GEAR, 64 TEETH
40	1	RA-31972 - OLD	SPACER, OLD VERSION
41	2	RA-32371	MOUNTING BAR
42	4	MAR-008.00016	SOCKET HEAD MACHINE SCREW
43	1	RA-32372	MOUNTING BLOCK
44	1	RA-32373	MOUNTING BLOCK
45	1	RA-32374	STRIPPER HOLDER
46	4	MAR-008.00033	SOCKET HEAD CAP SCREW, 10-32
47	1	RA-32354	PLATE, STRIPPING
48	1	RA-32353	STRIPPER, VACUUM TABLE
49	4	MAR-008.00071	SOCKET HEAD CAP SCREW
50	36	RA-32380	BELT

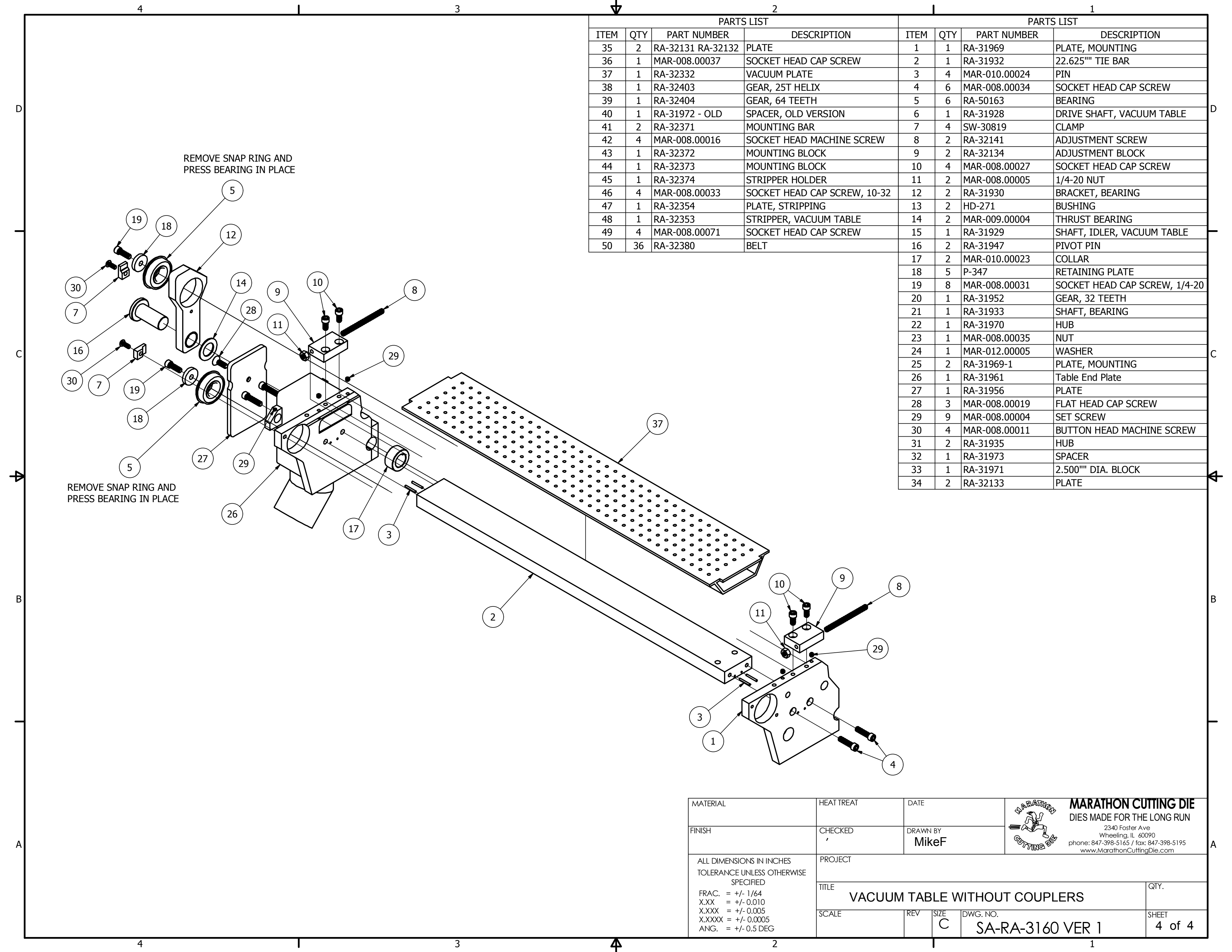
MATERIAL	HEAT TREAT	DATE	 MARATHON CUTTING DIE DIES MADE FOR THE LONG RUN 2340 Foster Ave Wheeling, IL 60090 phone: 847-398-5165 / fax: 847-398-5195 www.MarathonCuttingDie.com
FINISH	CHECKED	DRAWN BY MikeF	
ALL DIMENSIONS IN INCHES TOLERANCE UNLESS OTHERWISE SPECIFIED FRAC. = +/- 1/64 X.XX = +/- 0.010 X.XXX = +/- 0.005 X.XXXX = +/- 0.0005 ANG. = +/- 0.5 DEG			PROJECT
TITLE			QTY.
VACUUM TABLE WITHOUT COUPLERS			
SCALE	REV	SIZE C	DWG. NO. SA-RA-3160 VER 1
			SHEET 2 of 4




PARTS LIST			
ITEM	QTY	PART NUMBER	DESCRIPTION
1	1	RA-31969	PLATE, MOUNTING
2	1	RA-31932	22.625" TIE BAR
3	4	MAR-010.00024	PIN
4	6	MAR-008.00034	SOCKET HEAD CAP SCREW
5	6	RA-50163	BEARING
6	1	RA-31928	DRIVE SHAFT, VACUUM TABLE
7	4	SW-30819	CLAMP
8	2	RA-32141	ADJUSTMENT SCREW
9	2	RA-32134	ADJUSTMENT BLOCK
10	4	MAR-008.00027	SOCKET HEAD CAP SCREW
11	2	MAR-008.00005	1/4-20 NUT
12	2	RA-31930	BRACKET, BEARING
13	2	HD-271	BUSHING
14	2	MAR-009.00004	THRUST BEARING
15	1	RA-31929	SHAFT, IDLER, VACUUM TABLE
16	2	RA-31947	PIVOT PIN
17	2	MAR-010.00023	COLLAR
18	5	P-347	RETAINING PLATE
19	8	MAR-008.00031	SOCKET HEAD CAP SCREW, 1/4-20
20	1	RA-31952	GEAR, 32 TEETH
21	1	RA-31933	SHAFT, BEARING
22	1	RA-31970	HUB
23	1	MAR-008.00035	NUT
24	1	MAR-012.00005	WASHER
25	2	RA-31969-1	PLATE, MOUNTING
26	1	RA-31961	Table End Plate
27	1	RA-31956	PLATE
28	3	MAR-008.00019	FLAT HEAD CAP SCREW
29	9	MAR-008.00004	SET SCREW
30	4	MAR-008.00011	BUTTON HEAD MACHINE SCREW
31	2	RA-31935	HUB
32	1	RA-31973	SPACER
33	1	RA-31971	2.500" DIA. BLOCK
34	2	RA-32133	PLATE

PARTS LIST			
ITEM	QTY	PART NUMBER	DESCRIPTION
35	2	RA-32131 RA-32132	PLATE
36	1	MAR-008.00037	SOCKET HEAD CAP SCREW
37	1	RA-32332	VACUUM PLATE
38	1	RA-32403	GEAR, 25T HELIX
39	1	RA-32404	GEAR, 64 TEETH
40	1	RA-31972 - OLD	SPACER, OLD VERSION
41	2	RA-32371	MOUNTING BAR
42	4	MAR-008.00016	SOCKET HEAD MACHINE SCREW
43	1	RA-32372	MOUNTING BLOCK
44	1	RA-32373	MOUNTING BLOCK
45	1	RA-32374	STRIPPER HOLDER
46	4	MAR-008.00033	SOCKET HEAD CAP SCREW, 10-32
47	1	RA-32354	PLATE, STRIPPING
48	1	RA-32353	STRIPPER, VACUUM TABLE
49	4	MAR-008.00071	SOCKET HEAD CAP SCREW
50	36	RA-32380	BELT

MATERIAL	HEAT TREAT	DATE	 MARATHON CUTTING DIE DIES MADE FOR THE LONG RUN 2340 Foster Ave Wheeling, IL 60090 phone: 847-398-5165 / fax: 847-398-5195 www.MarathonCuttingDie.com
FINISH	CHECKED	DRAWN BY MikeF	
ALL DIMENSIONS IN INCHES TOLERANCE UNLESS OTHERWISE SPECIFIED FRAC. = +/- 1/64 X.XX = +/- 0.010 X.XXX = +/- 0.005 X.XXXX = +/- 0.0005 ANG. = +/- 0.5 DEG	PROJECT		QTY.
	TITLE VACUUM TABLE WITHOUT COUPLERS		SHEET 3 of 4
SCALE	REV	SIZE C	DWG. NO. SA-RA-3160 VER 1



PARTS LIST				PARTS LIST			
ITEM	QTY	PART NUMBER	DESCRIPTION	ITEM	QTY	PART NUMBER	DESCRIPTION
35	2	RA-32131 RA-32132	PLATE	1	1	RA-31969	PLATE, MOUNTING
36	1	MAR-008.00037	SOCKET HEAD CAP SCREW	2	1	RA-31932	22.625" TIE BAR
37	1	RA-32332	VACUUM PLATE	3	4	MAR-010.00024	PIN
38	1	RA-32403	GEAR, 25T HELIX	4	6	MAR-008.00034	SOCKET HEAD CAP SCREW
39	1	RA-32404	GEAR, 64 TEETH	5	6	RA-50163	BEARING
40	1	RA-31972 - OLD	SPACER, OLD VERSION	6	1	RA-31928	DRIVE SHAFT, VACUUM TABLE
41	2	RA-32371	MOUNTING BAR	7	4	SW-30819	CLAMP
42	4	MAR-008.00016	SOCKET HEAD MACHINE SCREW	8	2	RA-32141	ADJUSTMENT SCREW
43	1	RA-32372	MOUNTING BLOCK	9	2	RA-32134	ADJUSTMENT BLOCK
44	1	RA-32373	MOUNTING BLOCK	10	4	MAR-008.00027	SOCKET HEAD CAP SCREW
45	1	RA-32374	STRIPPER HOLDER	11	2	MAR-008.00005	1/4-20 NUT
46	4	MAR-008.00033	SOCKET HEAD CAP SCREW, 10-32	12	2	RA-31930	BRACKET, BEARING
47	1	RA-32354	PLATE, STRIPPING	13	2	HD-271	BUSHING
48	1	RA-32353	STRIPPER, VACUUM TABLE	14	2	MAR-009.00004	THRUST BEARING
49	4	MAR-008.00071	SOCKET HEAD CAP SCREW	15	1	RA-31929	SHAFT, IDLER, VACUUM TABLE
50	36	RA-32380	BELT	16	2	RA-31947	PIVOT PIN
				17	2	MAR-010.00023	COLLAR
				18	5	P-347	RETAINING PLATE
				19	8	MAR-008.00031	SOCKET HEAD CAP SCREW, 1/4-20
				20	1	RA-31952	GEAR, 32 TEETH
				21	1	RA-31933	SHAFT, BEARING
				22	1	RA-31970	HUB
				23	1	MAR-008.00035	NUT
				24	1	MAR-012.00005	WASHER
				25	2	RA-31969-1	PLATE, MOUNTING
				26	1	RA-31961	Table End Plate
				27	1	RA-31956	PLATE
				28	3	MAR-008.00019	FLAT HEAD CAP SCREW
				29	9	MAR-008.00004	SET SCREW
				30	4	MAR-008.00011	BUTTON HEAD MACHINE SCREW
				31	2	RA-31935	HUB
				32	1	RA-31973	SPACER
				33	1	RA-31971	2.500" DIA. BLOCK
				34	2	RA-32133	PLATE

MATERIAL	HEAT TREAT	DATE	 MARATHON CUTTING DIE DIES MADE FOR THE LONG RUN 2340 Foster Ave Wheeling, IL 60090 phone: 847-398-5165 / fax: 847-398-5195 www.MarathonCuttingDie.com
FINISH	CHECKED	DRAWN BY MikeF	
ALL DIMENSIONS IN INCHES TOLERANCE UNLESS OTHERWISE SPECIFIED FRAC. = +/- 1/64 X.XX = +/- 0.010 X.XXX = +/- 0.005 X.XXXX = +/- 0.0005 ANG. = +/- 0.5 DEG		PROJECT	TITLE
			VACUUM TABLE WITHOUT COUPLERS
SCALE	REV	SIZE C	DWG. NO. SA-RA-3160 VER 1
			QTY. SHEET 4 of 4