

4

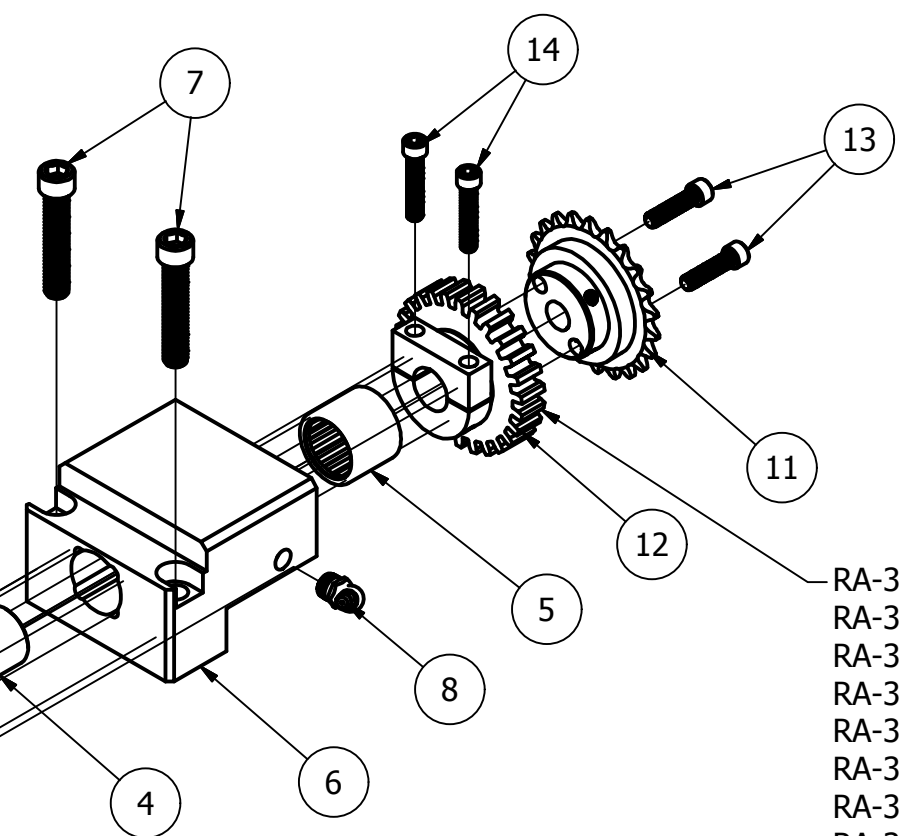
3

2

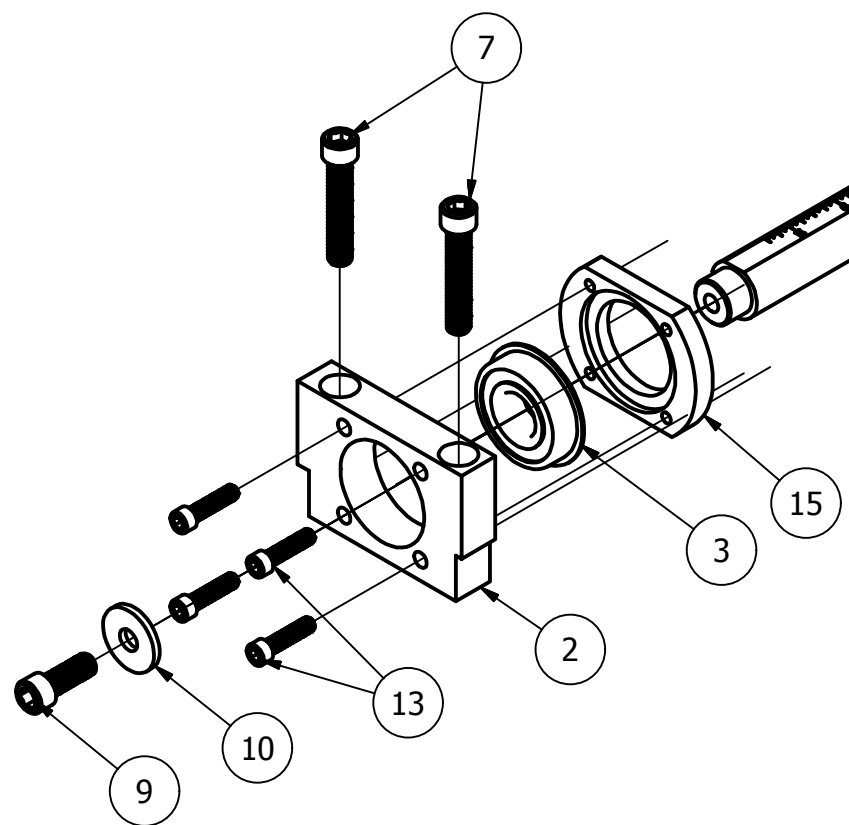
1


PARTS LIST

| ITEM | QTY | PART NUMBER | DESCRIPTION |
|------|-----|---------------|-------------------------------|
| 1 | 1 | RA-31324 | HSP PATCH GUMMER SHAFT |
| 2 | 1 | RA-30989 | BEARING HOUSING |
| 3 | 1 | RA-70034 | BEARING |
| 4 | 1 | RA-31092 | BEARING, INNER RING |
| 5 | 1 | RA-31738 | BEARING |
| 6 | 1 | RA-31327 | BEARING HOUSING |
| 7 | 4 | MAR-008.00089 | SOCKET HEAD CAPSCREW, 3/8-16 |
| 8 | 1 | MAR-010.00054 | GREASE FITTING |
| 9 | 1 | MAR-008.00026 | SOCKET HEAD SCREW, 3/8-16 |
| 10 | 1 | RC-9024 | RETAINING PLATE |
| 11 | 1 | RA-31061 | SPROCKET |
| 12 | 1 | RA-31070 | GEAR, SPUR, 26 TEETH |
| 13 | 6 | MAR-008.00034 | SOCKET HEAD CAP SCREW. 1/4-20 |
| 14 | 2 | MAR-008.00015 | SOCKET HEAD SCREW |
| 15 | 1 | RA-31071 | CAP |



- RA-31062 (18 TOOTH)
- RA-31063 (19 TOOTH)
- RA-31064 (20 TOOTH)
- RA-31065 (21 TOOTH)
- RA-31066 (22 TOOTH)
- RA-31067 (23 TOOTH)
- RA-31068 (24 TOOTH)
- RA-31069 (25 TOOTH)
- RA-31070 (26 TOOTH)



| | | | |
|--|---------------------------------------|--------------------------|---|
| MATERIAL | HEAT TREAT | DATE |  MARATHON CUTTING DIE DIES MADE FOR THE LONG RUN 2340 Foster Ave Wheeling, IL 60090 phone: 847-398-5165 / fax: 847-398-5195 www.MarathonCuttingDie.com |
| FINISH | CHECKED | DRAWN BY MikeF | |
| ALL DIMENSIONS IN INCHES TOLERANCE UNLESS OTHERWISE SPECIFIED FRAC. = +/- 1/64 X.XX = +/- 0.010 X.XXX = +/- 0.005 X.XXXX = +/- 0.0005 ANG. = +/- 0.5 DEG | PROJECT | | QTY. |
| | TITLE GUMMER SHAFT ASSEMBLY | | DWG. NO. SA-RA-3114 |
| SCALE | REV | SIZE B | |

4

3

2

1