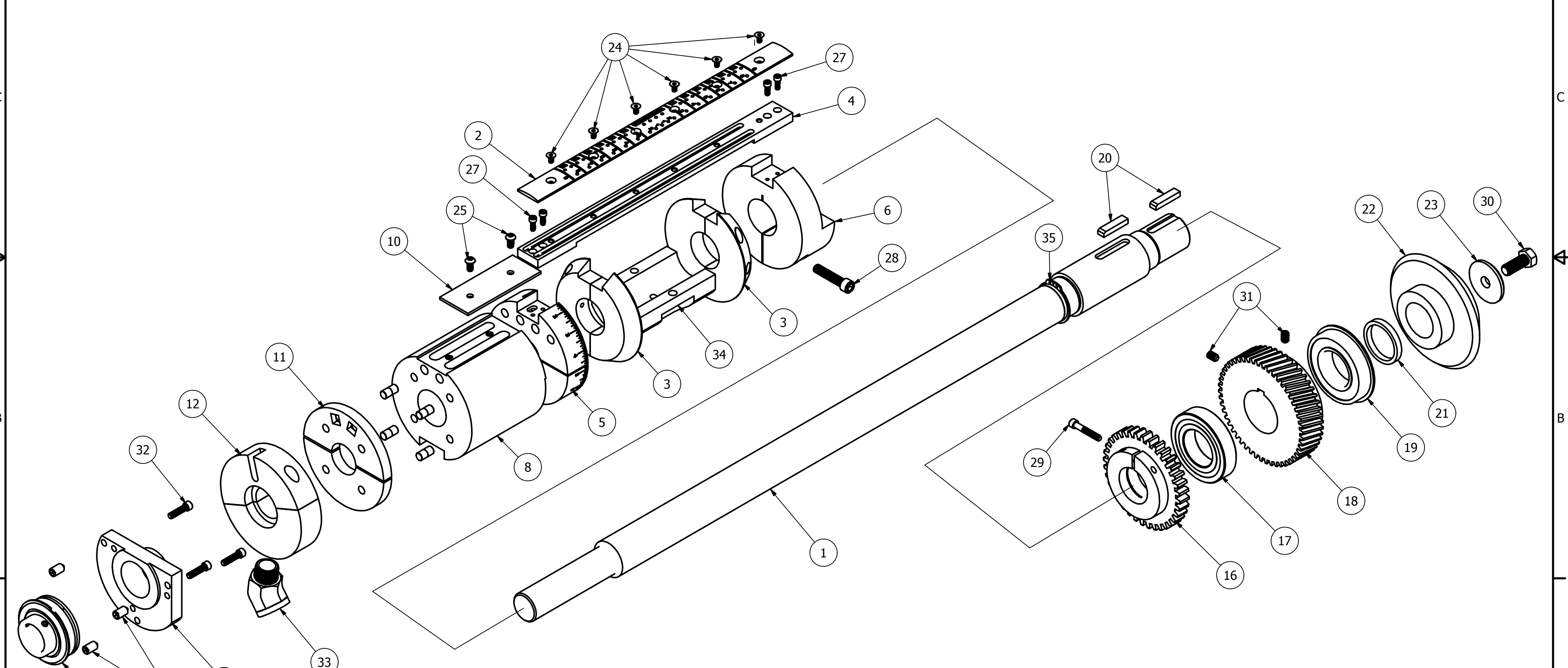



PARTS LIST				PARTS LIST			
ITEM	QTY	PART NUMBER	DESCRIPTION	ITEM	QTY	PART NUMBER	DESCRIPTION
18	1	RA-31104	GEAR, LH HELIX	1	1	RA-31462	SHAFT, PATCH GUMMER
19	1	RA-30188	BEARING	2	1	RA-30763	VACUUM BAR,
20	2	OS-4806	MACHINE KEY, 3/8"X1/4"	3	2	RA-31473 RA-31474	SPLIT RING PAPER SUPPORT
21	1	RA-30214	SPACER	4	1	RA-30761	BAR, LEAD EDGE MOUNTING
22	1	RA-30185	BEVEL GEAR	5	1	RA-31549	SCALE, INCH
23	1	RA-30215	RETAINING PLATE	6	1	RA-31555	VACUUM BAR SUPPORT DR. SIDE
24	6	MAR-008.00021	FLAT HEAD MACHINE SCREW	7	1	RA-31554	BALANCING PLATE
25	2	MAR-008.00105	BUTTON HEAD CAP SCREW, 1/4-20	8	1	RA-31488	SUPPORT ROUND
26	2	MAR-008.00016	SOCKET HEAD MACHINE SCREW	9	4	RA-10220	ALIGNMENT PINS
27	4	MAR-008.00106	SOCKET HEAD CAP SCREW, 10-32	10	1	RA-31489	COVER PLATE
28	1	MAR-008.00090	SOCKET HEAD CAP SCREW, 3/8-16	11	1	RA-30392 RA-30393	VALVE SEAL
29	1	MAR-008.00048	SOCKET HEAD CAP SCREW, 1/4-20	12	1	RA-30850 RA-30851	VALVE, PATCH GUMMER SHAFT
30	1	MAR-008.00078	HEX HEAD, 1/2-13	13	1	RA-31472	VALVE RETAINER
31	2	MAR-008.00053	SET SCREW	14	3	RA-50427 RA-50422	SPRING PLUNGER
32	3	MAR-008.00034	SOCKET HEAD CAP SCREW. 1/4-20	15	1	RA-30222	BEARING
33	1	MAR-010.00075	FITTING, 45 DEGREE	16	1	RA-31470	GEAR
34	1	RA-31468	GUMMER HOLDER	17	1	RA-30190	BEARING
35	1	MAR-010.00077	RETAINING RING				



MATERIAL	HEAT TREAT	DATE	 MARATHON CUTTING DIE DIES MADE FOR THE LONG RUN 2340 Foster Ave Wheeling, IL 60090 phone: 847-398-5165 / fax: 847-398-5195 www.MarathonCuttingDie.com
FINISH	CHECKED	DRAWN BY MikeF	
ALL DIMENSIONS IN INCHES TOLERANCE UNLESS OTHERWISE SPECIFIED FRAC. = +/- 1/64 X.XX = +/- 0.010 X.XXX = +/- 0.005 X.XXXX = +/- 0.0005 ANG. = +/- 0.5 DEG			PROJECT
			TITLE PATCH GUMMER SHAFT ASSEMBLY
SCALE	REV	SIZE C	DWG. NO. SA-RA-3080-1
			QTY. SHEET 1 of 1