

4

3

2

1

PARTS LIST

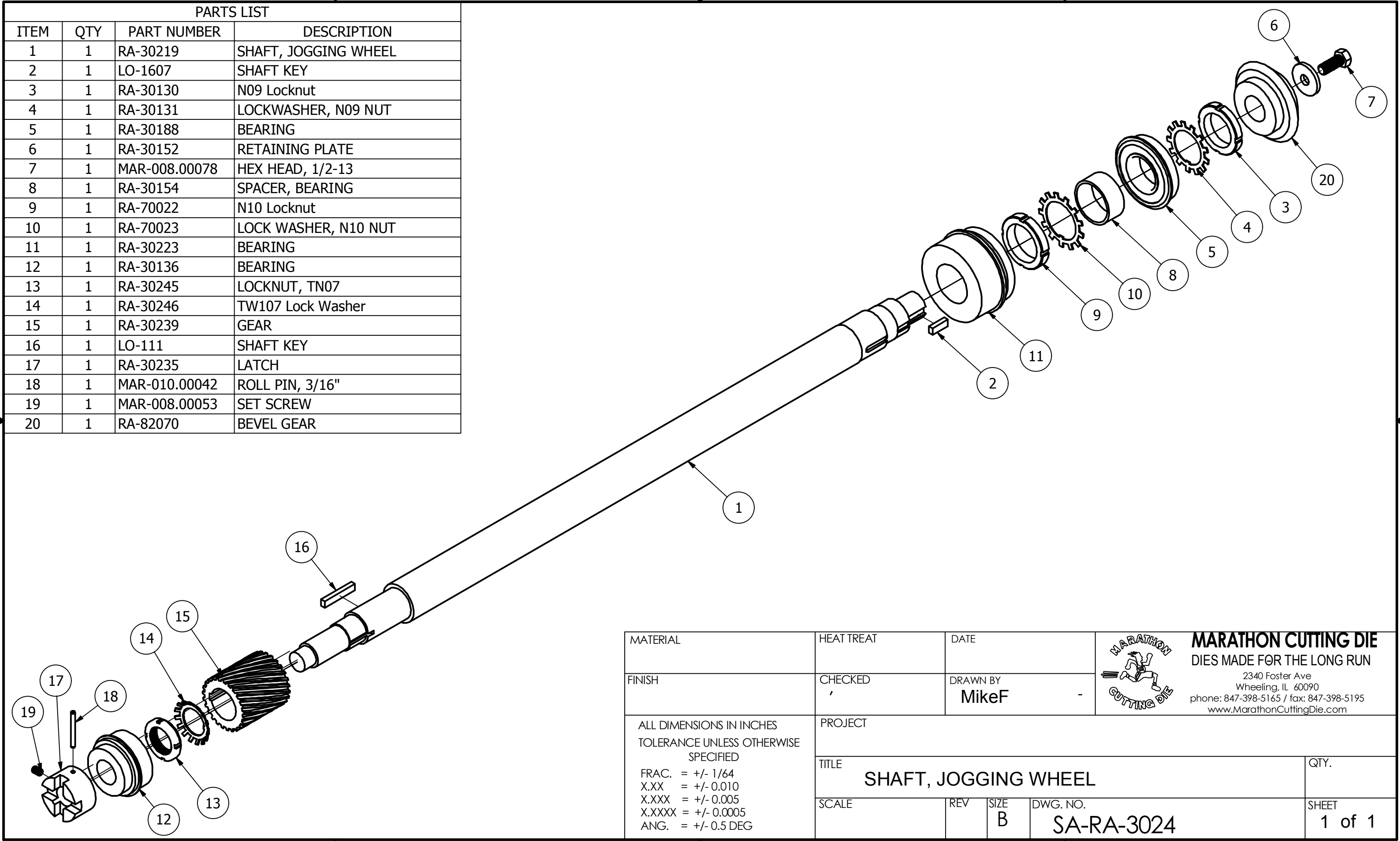
ITEM	QTY	PART NUMBER	DESCRIPTION
1	1	RA-30219	SHAFT, JOGGING WHEEL
2	1	LO-1607	SHAFT KEY
3	1	RA-30130	N09 Locknut
4	1	RA-30131	LOCKWASHER, N09 NUT
5	1	RA-30188	BEARING
6	1	RA-30152	RETAINING PLATE
7	1	MAR-008.00078	HEX HEAD, 1/2-13
8	1	RA-30154	SPACER, BEARING
9	1	RA-70022	N10 Locknut
10	1	RA-70023	LOCK WASHER, N10 NUT
11	1	RA-30223	BEARING
12	1	RA-30136	BEARING
13	1	RA-30245	LOCKNUT, TN07
14	1	RA-30246	TW107 Lock Washer
15	1	RA-30239	GEAR
16	1	LO-111	SHAFT KEY
17	1	RA-30235	LATCH
18	1	MAR-010.00042	ROLL PIN, 3/16"
19	1	MAR-008.00053	SET SCREW
20	1	RA-82070	BEVEL GEAR


B

B

A

A



MATERIAL	HEAT TREAT	DATE	 MARATHON CUTTING DIE DIES MADE FOR THE LONG RUN 2340 Foster Ave Wheeling, IL 60090 phone: 847-398-5165 / fax: 847-398-5195 www.MarathonCuttingDie.com
FINISH	CHECKED	DRAWN BY MikeF	
ALL DIMENSIONS IN INCHES TOLERANCE UNLESS OTHERWISE SPECIFIED FRAC. = +/- 1/64 X.XX = +/- 0.010 X.XXX = +/- 0.005 X.XXXX = +/- 0.0005 ANG. = +/- 0.5 DEG	PROJECT		QTY.
	TITLE SHAFT, JOGGING WHEEL		SHEET 1 of 1
SCALE	REV	SIZE B	DWG. NO. SA-RA-3024

4

3

2

1

A