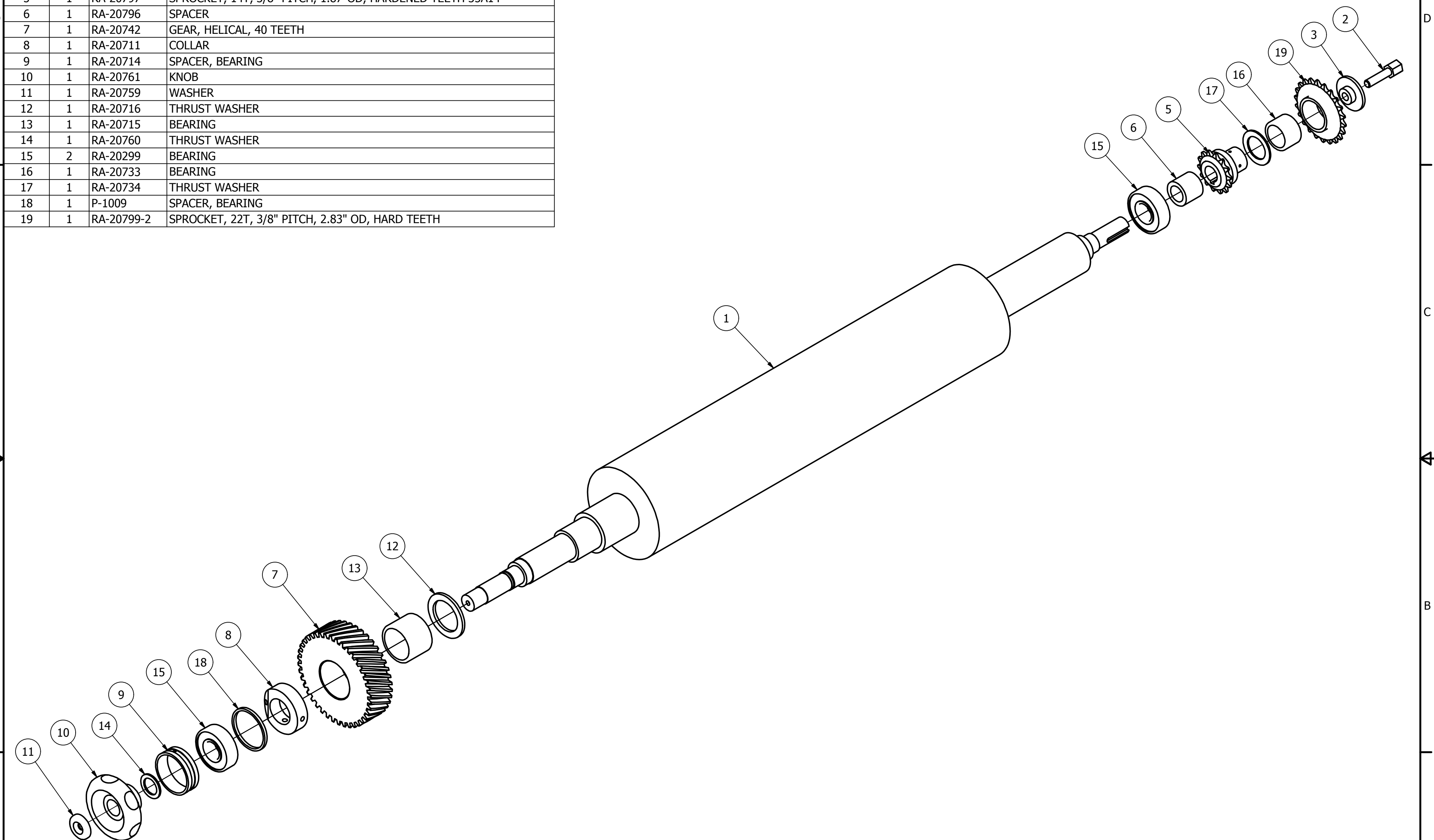



PARTS LIST			
ITEM	QTY	PART NUMBER	DESCRIPTION
1	1	RA-20889	ANILOX ROLL, NOT INCLUDED
2	1	RA-20798	LUBE FITTING SCREW
3	1	RA-20800	CAP
5	1	RA-20797	SPROCKET, 14T, 3/8" PITCH, 1.87"OD, HARDENED TEETH 35A14
6	1	RA-20796	SPACER
7	1	RA-20742	GEAR, HELICAL, 40 TEETH
8	1	RA-20711	COLLAR
9	1	RA-20714	SPACER, BEARING
10	1	RA-20761	KNOB
11	1	RA-20759	WASHER
12	1	RA-20716	THRUST WASHER
13	1	RA-20715	BEARING
14	1	RA-20760	THRUST WASHER
15	2	RA-20299	BEARING
16	1	RA-20733	BEARING
17	1	RA-20734	THRUST WASHER
18	1	P-1009	SPACER, BEARING
19	1	RA-20799-2	SPROCKET, 22T, 3/8" PITCH, 2.83" OD, HARD TEETH



MATERIAL	HEAT TREAT	DATE	 MARATHON CUTTING DIE DIES MADE FOR THE LONG RUN 2340 Foster Ave Wheeling, IL 60090 phone: 847-398-5165 / fax: 847-398-5195 www.MarathonCuttingDie.com
FINISH	CHECKED	DRAWN BY MikeF	
ALL DIMENSIONS IN INCHES TOLERANCE UNLESS OTHERWISE SPECIFIED FRAC. = +/- 1/64 X.XX = +/- 0.010 X.XXX = +/- 0.005 X.XXXX = +/- 0.0005 ANG. = +/- 0.5 DEG	PROJECT		QTY.
	TITLE OUTSIDE PRINTER ASSEMBLY		SHEET 1 of 1
SCALE	REV	SIZE C	DWG. NO. SA-RA-2096