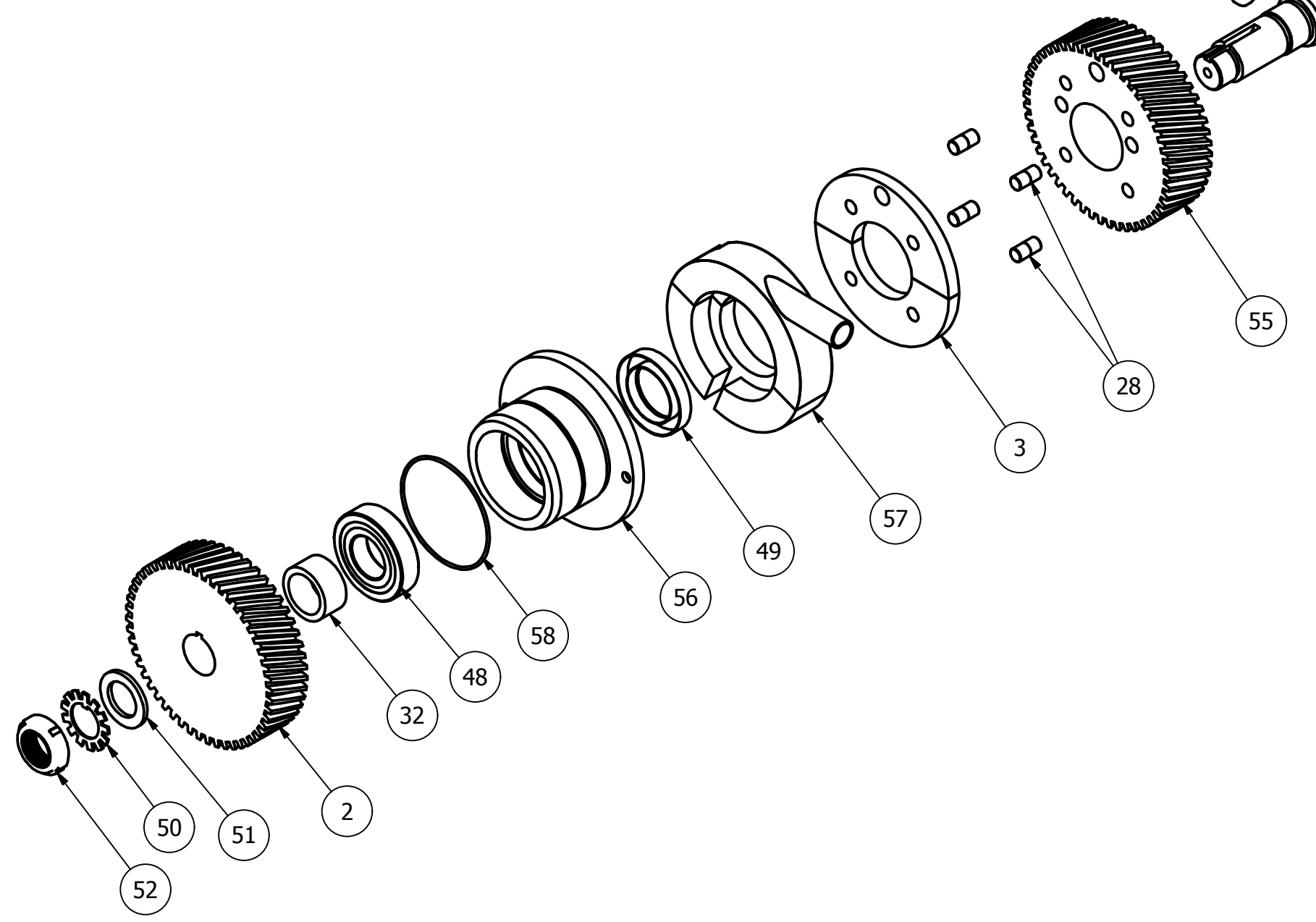
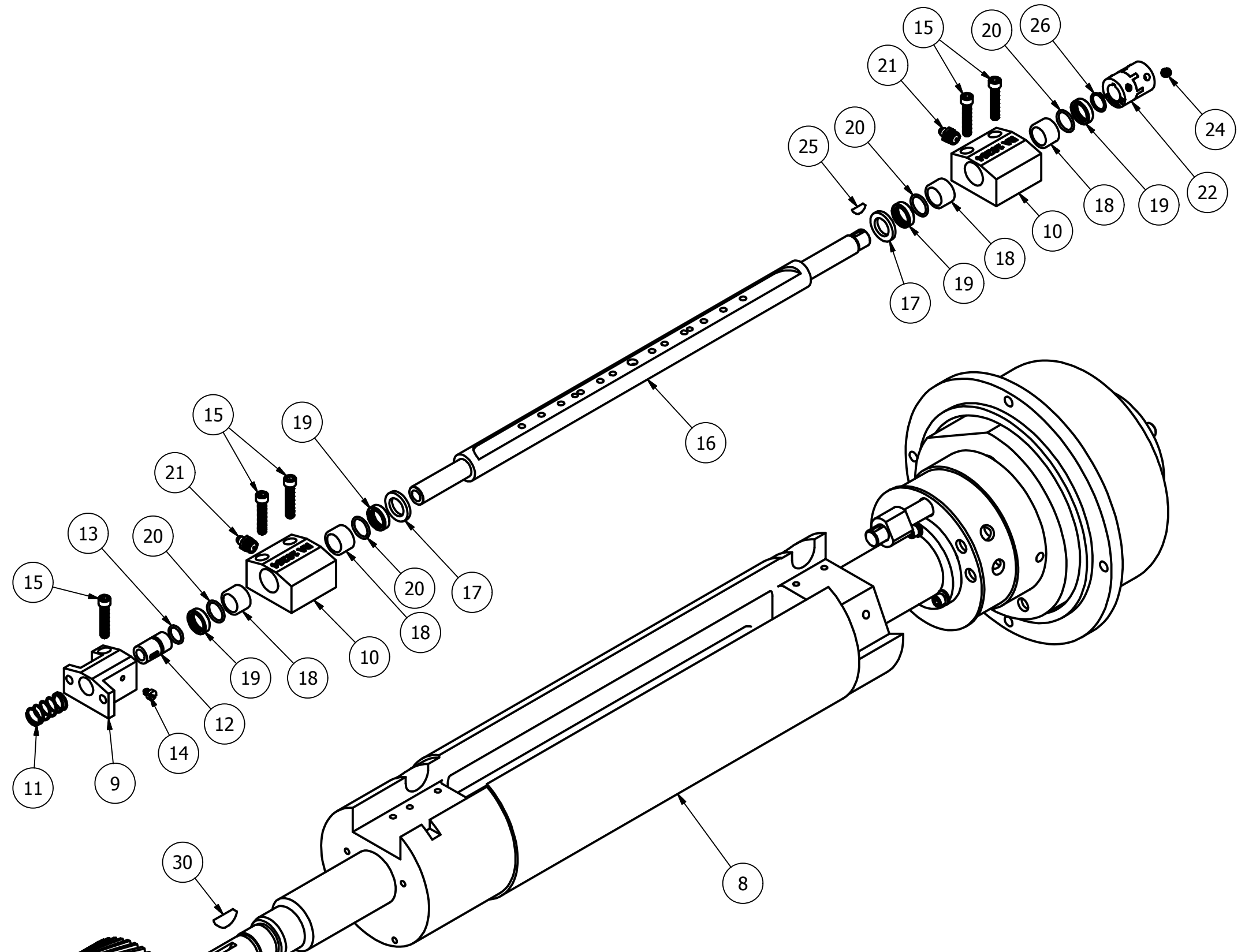



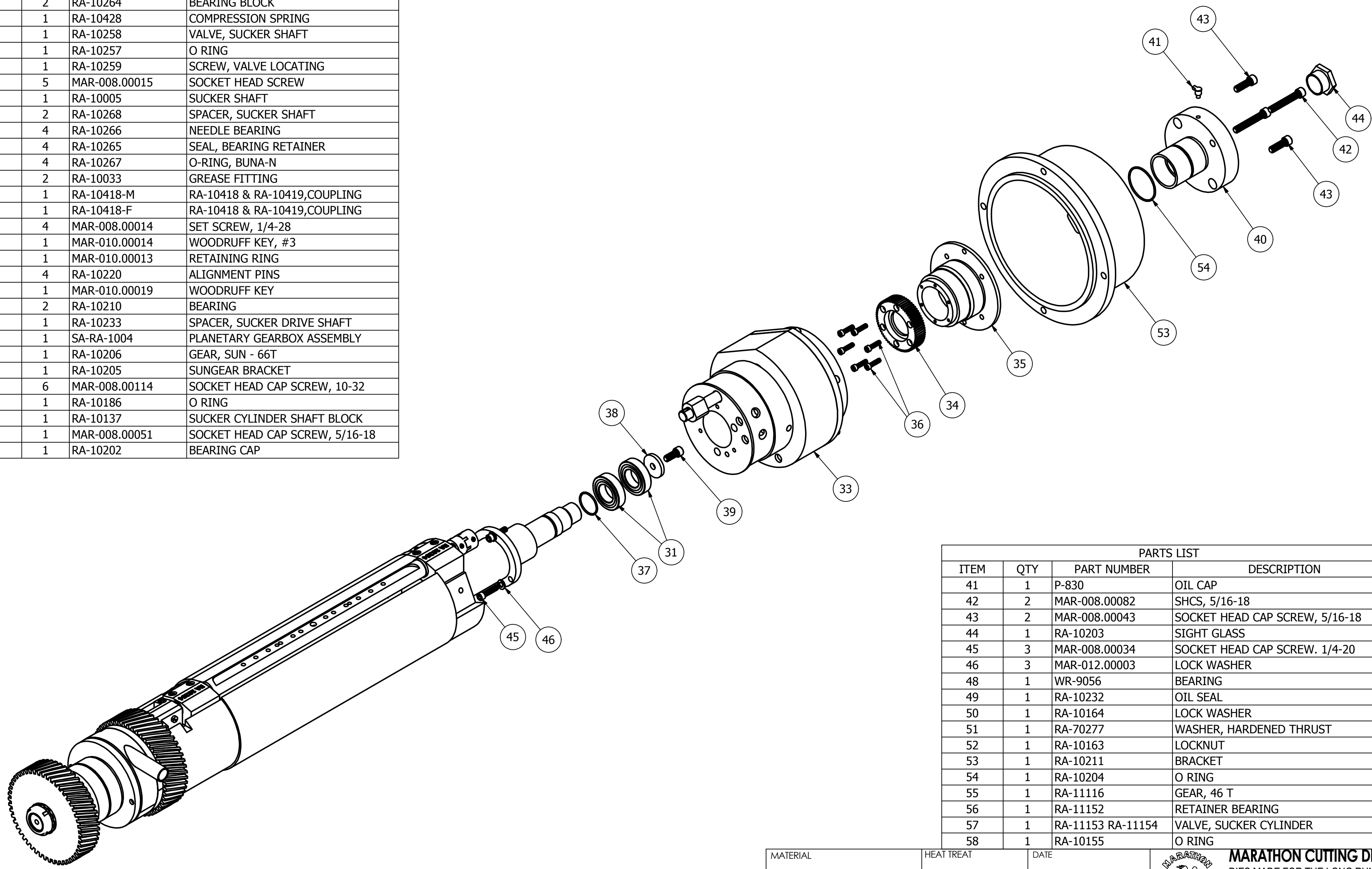
PARTS LIST			
ITEM	QTY	PART NUMBER	DESCRIPTION
2	1	RA-10036	GEAR, 46 T
3	1	RA-10253 RA-10254	VALVE SEAL
8	1	RA-10785-1	FEED CYLINDER
9	1	RA-10429	BLOCK, VACUUM
10	2	RA-10264	BEARING BLOCK
11	1	RA-10428	COMPRESSION SPRING
12	1	RA-10258	VALVE, SUCKER SHAFT
13	1	RA-10257	O RING
14	1	RA-10259	SCREW, VALVE LOCATING
15	5	MAR-008.00015	SOCKET HEAD SCREW
16	1	RA-10005	SUCKER SHAFT
17	2	RA-10268	SPACER, SUCKER SHAFT
18	4	RA-10266	NEEDLE BEARING
19	4	RA-10265	SEAL, BEARING RETAINER
20	4	RA-10267	O-RING, BUNA-N
21	2	RA-10033	GREASE FITTING
22	1	RA-10418-M	RA-10418 & RA-10419, COUPLING
23	1	RA-10418-F	RA-10418 & RA-10419, COUPLING
24	4	MAR-008.00014	SET SCREW, 1/4-28
25	1	MAR-010.00014	WOODRUFF KEY, #3
26	1	MAR-010.00013	RETAINING RING
28	4	RA-10220	ALIGNMENT PINS
30	1	MAR-010.00019	WOODRUFF KEY
31	2	RA-10210	BEARING
32	1	RA-10233	SPACER, SUCKER DRIVE SHAFT
33	1	SA-RA-1004	PLANETARY GEARBOX ASSEMBLY
34	1	RA-10206	GEAR, SUN - 66T
35	1	RA-10205	SUNGEAR BRACKET
36	6	MAR-008.00114	SOCKET HEAD CAP SCREW, 10-32
37	1	RA-10186	O RING
38	1	RA-10137	SUCKER CYLINDER SHAFT BLOCK
39	1	MAR-008.00051	SOCKET HEAD CAP SCREW, 5/16-18
40	1	RA-10202	BEARING CAP




PARTS LIST			
ITEM	QTY	PART NUMBER	DESCRIPTION
41	1	P-830	OIL CAP
42	2	MAR-008.00082	SHCS, 5/16-18
43	2	MAR-008.00043	SOCKET HEAD CAP SCREW, 5/16-18
44	1	RA-10203	SIGHT GLASS
45	3	MAR-008.00034	SOCKET HEAD CAP SCREW. 1/4-20
46	3	MAR-012.00003	LOCK WASHER
48	1	WR-9056	BEARING
49	1	RA-10232	OIL SEAL
50	1	RA-10164	LOCK WASHER
51	1	RA-70277	WASHER, HARDENED THRUST
52	1	RA-10163	LOCKNUT
53	1	RA-10211	BRACKET
54	1	RA-10204	O RING
55	1	RA-11116	GEAR, 46 T
56	1	RA-11152	RETAINER BEARING
57	1	RA-11153 RA-11154	VALVE, SUCKER CYLINDER
58	1	RA-10155	O RING

MATERIAL	HEAT TREAT	DATE	 MARATHON CUTTING DIE DIES MADE FOR THE LONG RUN 2340 Foster Ave Wheeling, IL 60090 phone: 847-398-5165 / fax: 847-398-5195 www.MarathonCuttingDie.com
FINISH	CHECKED	DRAWN BY MikeF	
ALL DIMENSIONS IN INCHES TOLERANCE UNLESS OTHERWISE SPECIFIED FRAC. = +/- 1/64 X.XX = +/- 0.010 X.XXX = +/- 0.005 X.XXXX = +/- 0.0005 ANG. = +/- 0.5 DEG		PROJECT	TITLE
		SCALE	FEED CYLINDER ASSEMBLY SA-RA-1100
		REV	QTY.
		SIZE C	SHEET
		DWG. NO.	1 of 2

PARTS LIST			
ITEM	QTY	PART NUMBER	DESCRIPTION
2	1	RA-10036	GEAR, 46 T
3	1	RA-10253 RA-10254	VALVE SEAL
8	1	RA-10785-1	FEED CYLINDER
9	1	RA-10429	BLOCK, VACUUM
10	2	RA-10264	BEARING BLOCK
11	1	RA-10428	COMPRESSION SPRING
12	1	RA-10258	VALVE, SUCKER SHAFT
13	1	RA-10257	O RING
14	1	RA-10259	SCREW, VALVE LOCATING
15	5	MAR-008.00015	SOCKET HEAD SCREW
16	1	RA-10005	SUCKER SHAFT
17	2	RA-10268	SPACER, SUCKER SHAFT
18	4	RA-10266	NEEDLE BEARING
19	4	RA-10265	SEAL, BEARING RETAINER
20	4	RA-10267	O-RING, BUNA-N
21	2	RA-10033	GREASE FITTING
22	1	RA-10418-M	RA-10418 & RA-10419, COUPLING
23	1	RA-10418-F	RA-10418 & RA-10419, COUPLING
24	4	MAR-008.00014	SET SCREW, 1/4-28
25	1	MAR-010.00014	WOODRUFF KEY, #3
26	1	MAR-010.00013	RETAINING RING
28	4	RA-10220	ALIGNMENT PINS
30	1	MAR-010.00019	WOODRUFF KEY
31	2	RA-10210	BEARING
32	1	RA-10233	SPACER, SUCKER DRIVE SHAFT
33	1	SA-RA-1004	PLANETARY GEARBOX ASSEMBLY
34	1	RA-10206	GEAR, SUN - 66T
35	1	RA-10205	SUNGEAR BRACKET
36	6	MAR-008.00114	SOCKET HEAD CAP SCREW, 10-32
37	1	RA-10186	O RING
38	1	RA-10137	SUCKER CYLINDER SHAFT BLOCK
39	1	MAR-008.00051	SOCKET HEAD CAP SCREW, 5/16-18
40	1	RA-10202	BEARING CAP



PARTS LIST			
ITEM	QTY	PART NUMBER	DESCRIPTION
41	1	P-830	OIL CAP
42	2	MAR-008.00082	SHCS, 5/16-18
43	2	MAR-008.00043	SOCKET HEAD CAP SCREW, 5/16-18
44	1	RA-10203	SIGHT GLASS
45	3	MAR-008.00034	SOCKET HEAD CAP SCREW. 1/4-20
46	3	MAR-012.00003	LOCK WASHER
48	1	WR-9056	BEARING
49	1	RA-10232	OIL SEAL
50	1	RA-10164	LOCK WASHER
51	1	RA-70277	WASHER, HARDENED THRUST
52	1	RA-10163	LOCKNUT
53	1	RA-10211	BRACKET
54	1	RA-10204	O RING
55	1	RA-11116	GEAR, 46 T
56	1	RA-11152	RETAINER BEARING
57	1	RA-11153 RA-11154	VALVE, SUCKER CYLINDER
58	1	RA-10155	O RING

MATERIAL	HEAT TREAT	DATE	 MARATHON CUTTING DIE DIES MADE FOR THE LONG RUN 2340 Foster Ave Wheeling, IL 60090 phone: 847-398-5165 / fax: 847-398-5195 www.MarathonCuttingDie.com
FINISH	CHECKED	DRAWN BY MikeF	
ALL DIMENSIONS IN INCHES TOLERANCE UNLESS OTHERWISE SPECIFIED FRAC. = +/- 1/64 X.XX = +/- 0.010 X.XXX = +/- 0.005 X.XXXX = +/- 0.0005 ANG. = +/- 0.5 DEG		PROJECT	
		TITLE	QTY.
		FEED CYLINDER ASSEMBLY	
SCALE	REV	SIZE C	DWG. NO. SA-RA-1100
			SHEET 2 of 2