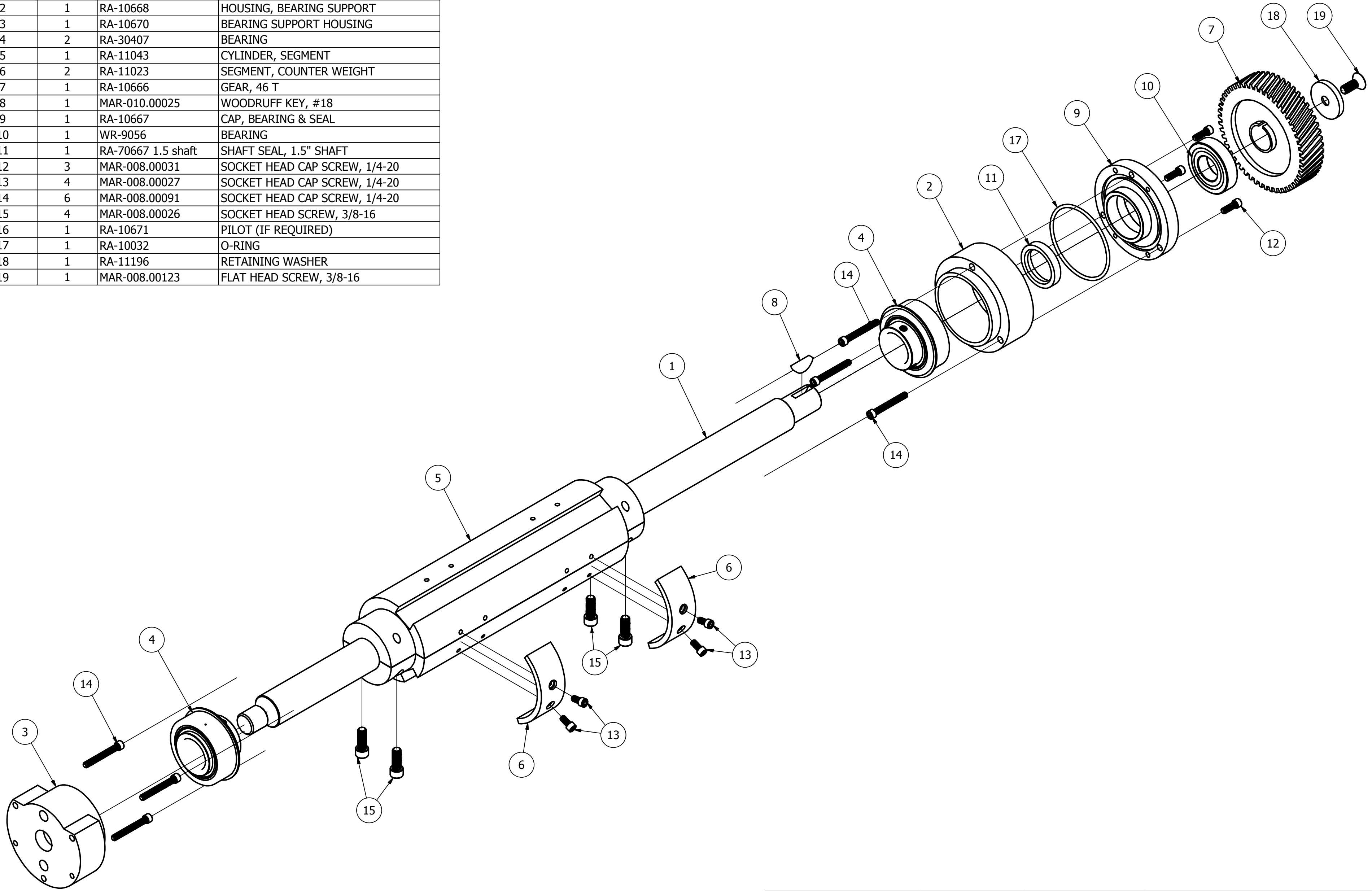



PARTS LIST			
ITEM	QTY	PART NUMBER	DESCRIPTION
1	1	RA-10669	SHAFT, SEGMENT CYLINDER
2	1	RA-10668	HOUSING, BEARING SUPPORT
3	1	RA-10670	BEARING SUPPORT HOUSING
4	2	RA-30407	BEARING
5	1	RA-11043	CYLINDER, SEGMENT
6	2	RA-11023	SEGMENT, COUNTER WEIGHT
7	1	RA-10666	GEAR, 46 T
8	1	MAR-010.00025	WOODRUFF KEY, #18
9	1	RA-10667	CAP, BEARING & SEAL
10	1	WR-9056	BEARING
11	1	RA-70667 1.5 shaft	SHAFT SEAL, 1.5" SHAFT
12	3	MAR-008.00031	SOCKET HEAD CAP SCREW, 1/4-20
13	4	MAR-008.00027	SOCKET HEAD CAP SCREW, 1/4-20
14	6	MAR-008.00091	SOCKET HEAD CAP SCREW, 1/4-20
15	4	MAR-008.00026	SOCKET HEAD SCREW, 3/8-16
16	1	RA-10671	PILOT (IF REQUIRED)
17	1	RA-10032	O-RING
18	1	RA-11196	RETAINING WASHER
19	1	MAR-008.00123	FLAT HEAD SCREW, 3/8-16



MATERIAL	HEAT TREAT	DATE	 <b>MARATHON CUTTING DIE</b> DIES MADE FOR THE LONG RUN 2340 Foster Ave Wheeling, IL 60090 phone: 847-398-5165 / fax: 847-398-5195 www.MarathonCuttingDie.com
FINISH	CHECKED	DRAWN BY <b>MikeF</b>	
MACHINING TOLERANCE UNLESS SPECIFIED INCH      METRIC X      = +/- 0.010    +/- 0.25 X.X    = +/- 0.010    +/- 0.13 X.XX   = +/- 0.010    +/- 0.08 X.XXX = +/- 0.005    +/- 0.02 X.XXXX = +/- 0.0005 ANG.   = +/- 0.5 DEG		PROJECT	
TITLE <b>SEGMENT CYLINDER SHAFT ASSEMBLY</b>			QTY.
SCALE	REV	SIZE <b>C</b>	DWG. NO. <b>SA-RA-1009</b>
			SHEET <b>1 of 1</b>