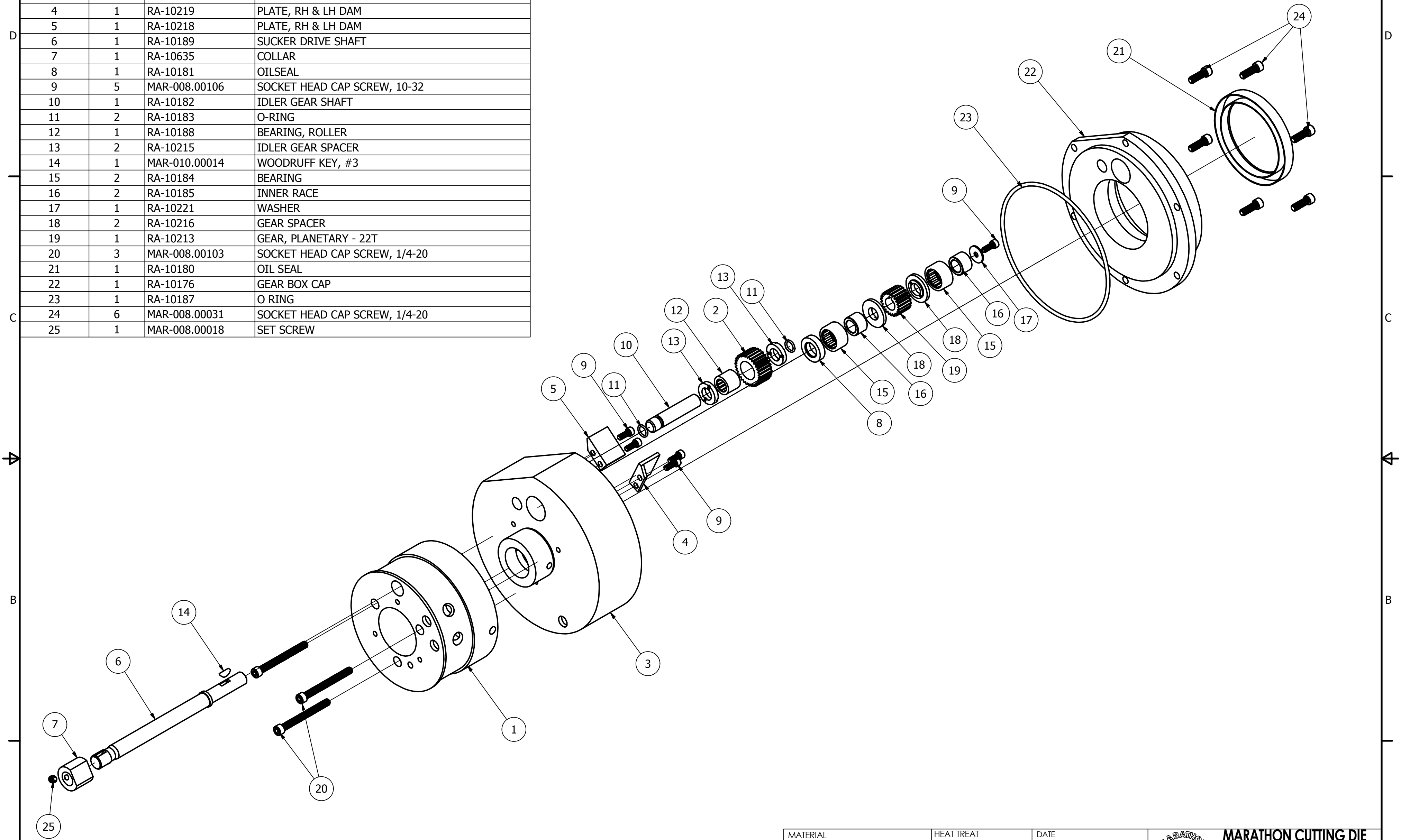



PARTS LIST			
ITEM	QTY	PART NUMBER	DESCRIPTION
1	1	RA-10212	VALVE
2	1	RA-10214	IDLER GEAR - 30T
3	1	RA-10175	GEAR BOX HOUSING
4	1	RA-10219	PLATE, RH & LH DAM
5	1	RA-10218	PLATE, RH & LH DAM
6	1	RA-10189	SUCKER DRIVE SHAFT
7	1	RA-10635	COLLAR
8	1	RA-10181	OILSEAL
9	5	MAR-008.00106	SOCKET HEAD CAP SCREW, 10-32
10	1	RA-10182	IDLER GEAR SHAFT
11	2	RA-10183	O-RING
12	1	RA-10188	BEARING, ROLLER
13	2	RA-10215	IDLER GEAR SPACER
14	1	MAR-010.00014	WOODRUFF KEY, #3
15	2	RA-10184	BEARING
16	2	RA-10185	INNER RACE
17	1	RA-10221	WASHER
18	2	RA-10216	GEAR SPACER
19	1	RA-10213	GEAR, PLANETARY - 22T
20	3	MAR-008.00103	SOCKET HEAD CAP SCREW, 1/4-20
21	1	RA-10180	OIL SEAL
22	1	RA-10176	GEAR BOX CAP
23	1	RA-10187	O RING
24	6	MAR-008.00031	SOCKET HEAD CAP SCREW, 1/4-20
25	1	MAR-008.00018	SET SCREW



MATERIAL	HEAT TREAT	DATE	 MARATHON CUTTING DIE DIES MADE FOR THE LONG RUN 2340 Foster Ave Wheeling, IL 60090 phone: 847-398-5165 / fax: 847-398-5195 www.MarathonCuttingDie.com
FINISH	CHECKED	DRAWN BY MikeF	
ALL DIMENSIONS IN INCHES TOLERANCE UNLESS OTHERWISE SPECIFIED FRAC. = +/- 1/64 X.XX = +/- 0.010 X.XXX = +/- 0.005 X.XXXX = +/- 0.0005 ANG. = +/- 0.5 DEG		PROJECT	
TITLE PLANETARY GEARBOX ASSEMBLY			QTY.
SCALE	REV	SIZE C	DWG. NO. SA-RA-1004
			SHEET 1 of 1