

4

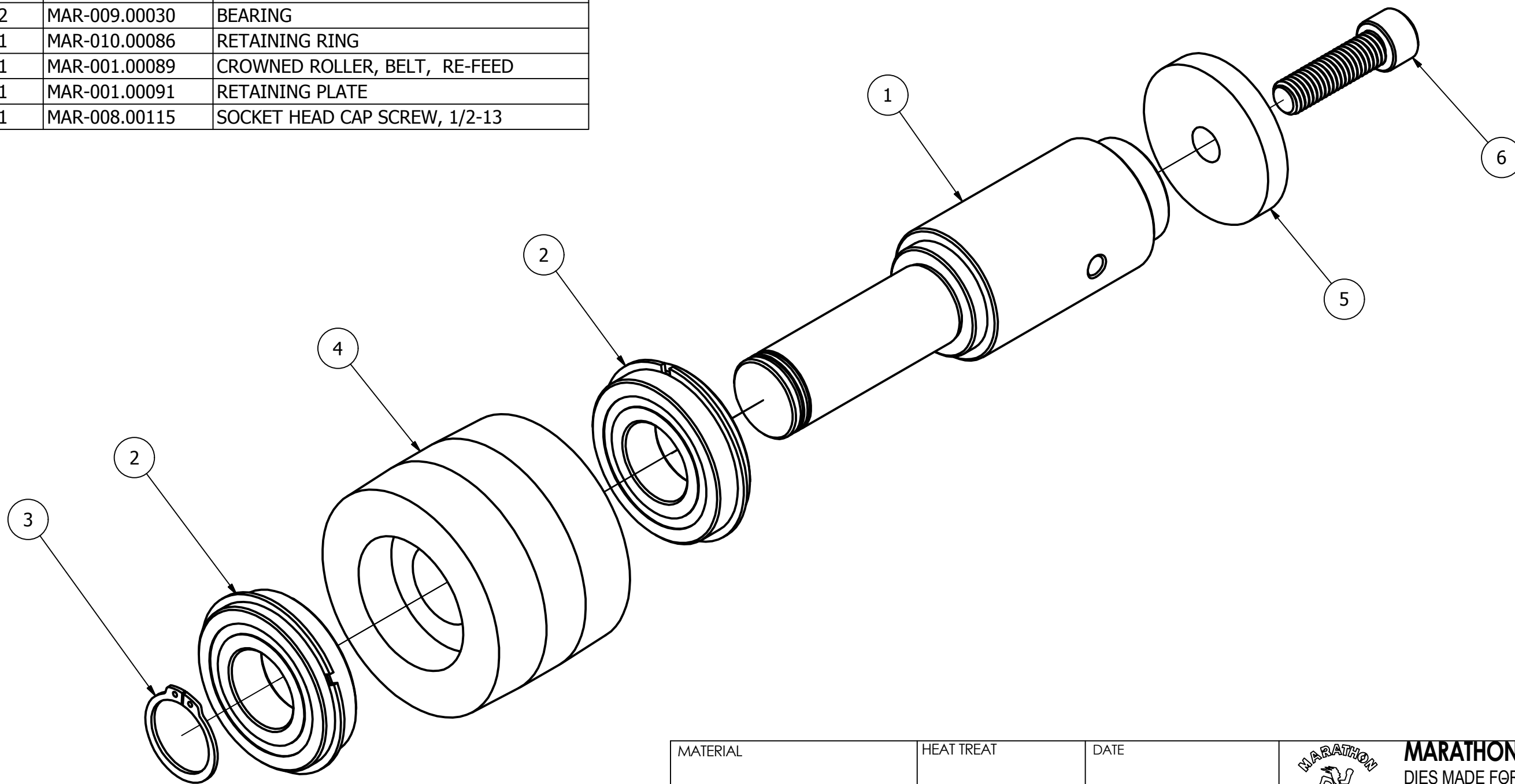
3


2

1

PARTS LIST

ITEM	QTY	PART NUMBER	DESCRIPTION
1	1	MAR-001.00092	SHAFT, RE-FEED
2	2	MAR-009.00030	BEARING
3	1	MAR-010.00086	RETAINING RING
4	1	MAR-001.00089	CROWNED ROLLER, BELT, RE-FEED
5	1	MAR-001.00091	RETAINING PLATE
6	1	MAR-008.00115	SOCKET HEAD CAP SCREW, 1/2-13



MATERIAL	HEAT TREAT	DATE	 <b>MARATHON CUTTING DIE</b> DIES MADE FOR THE LONG RUN 2340 Foster Ave Wheeling, IL 60090 phone: 847-398-5165 / fax: 847-398-5195 www.MarathonCuttingDie.com
FINISH	CHECKED	DRAWN BY <b>MikeF</b>	
ALL DIMENSIONS IN INCHES TOLERANCE UNLESS OTHERWISE SPECIFIED FRAC. = +/- 1/64 X.XX = +/- 0.010 X.XXX = +/- 0.005 X.XXXX = +/- 0.0005 ANG. = +/- 0.5 DEG	PROJECT		QTY.
	TITLE <b>RE-FEED ROLLER ASSY, NEW</b>		SHEET <b>1 of 1</b>
	SCALE	REV	
		DWG. NO. <b>MAR-001.00088</b>	

4

3

2

1