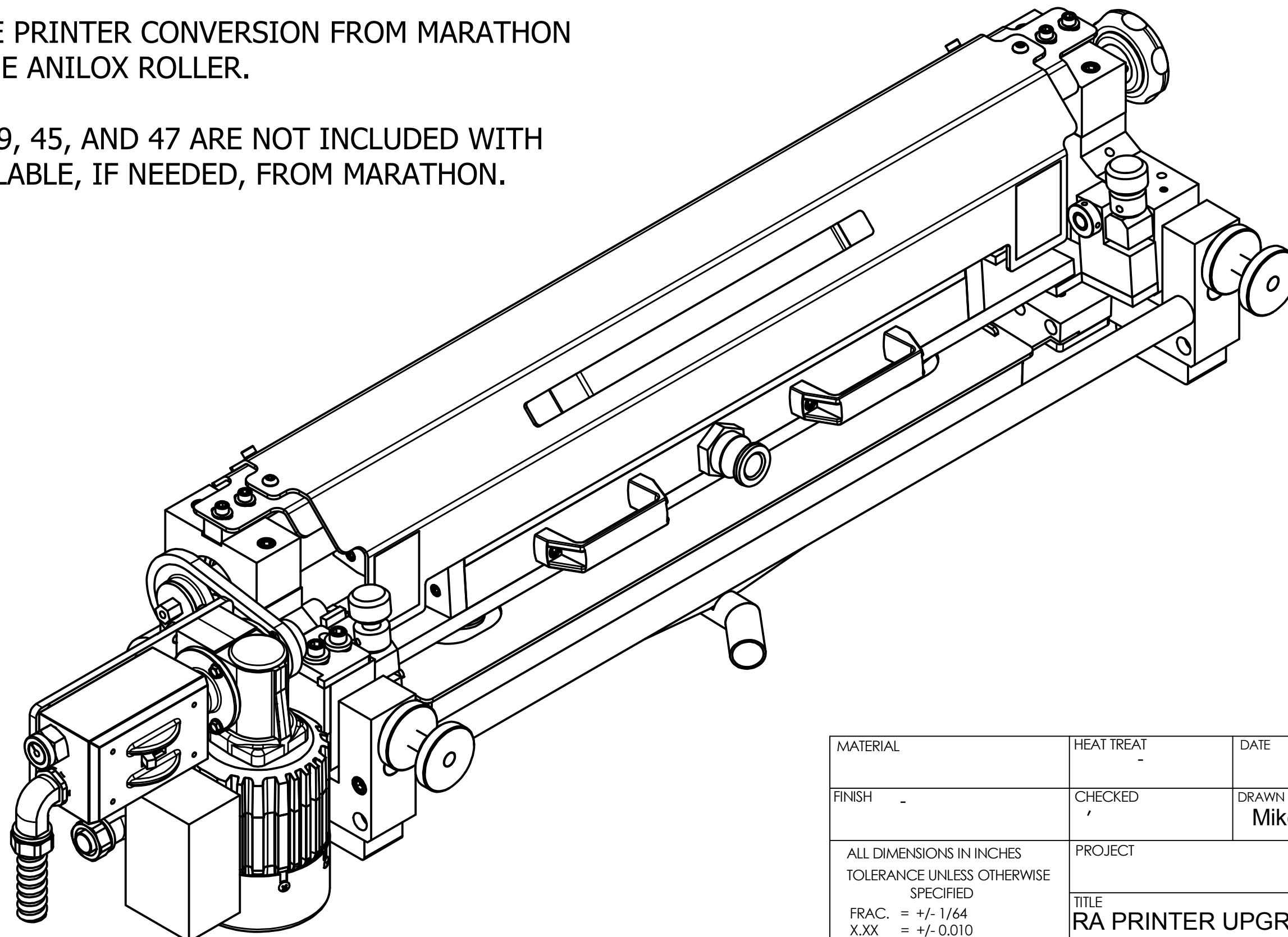



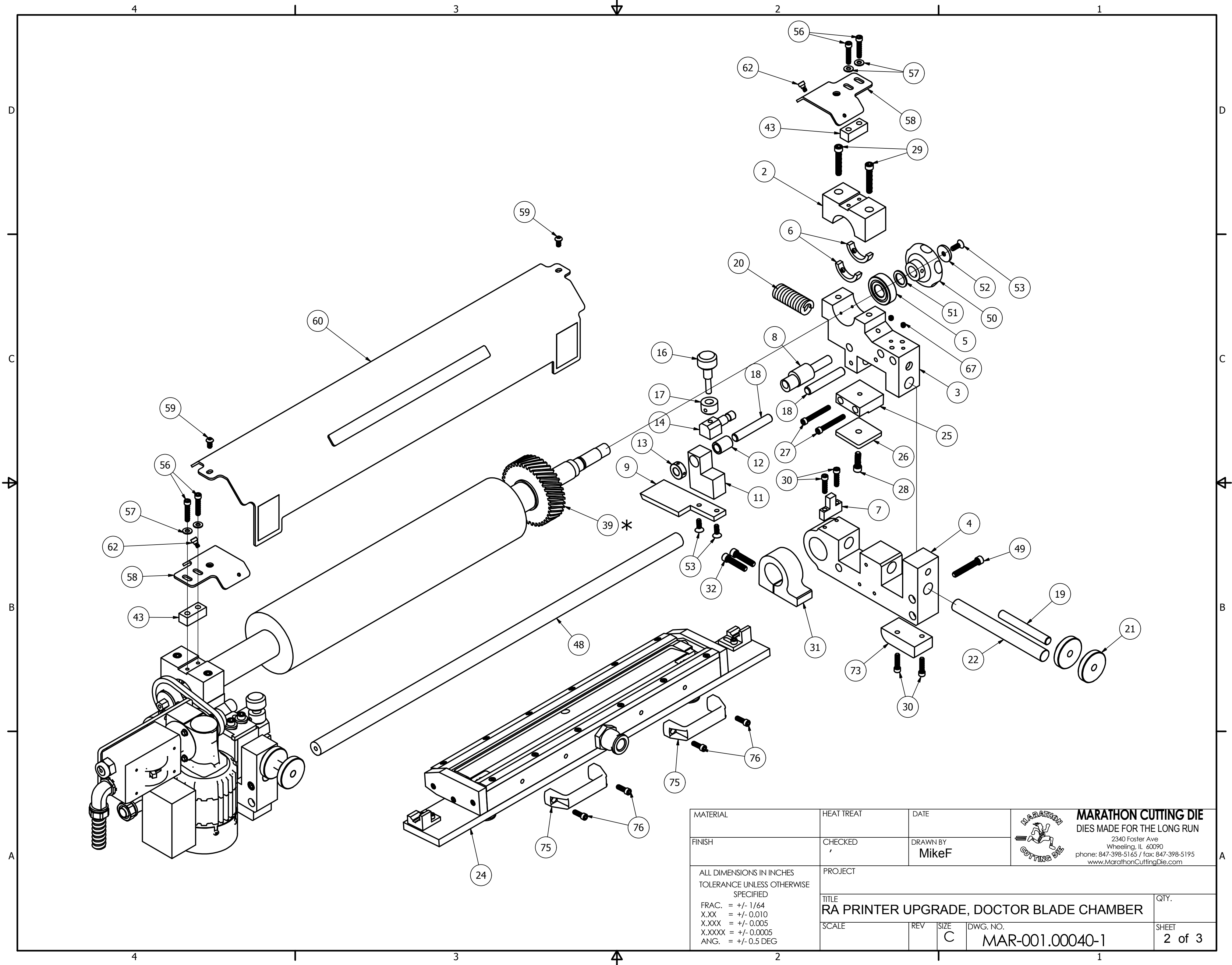
PARTS LIST				PARTS LIST				PARTS LIST			
ITEM	QTY	PART NUMBER	DESCRIPTION	ITEM	QTY	PART NUMBER	DESCRIPTION	ITEM	QTY	PART NUMBER	DESCRIPTION
52	1	RA-20759	WASHER	27	4	MAR-008.00091	SOCKET HEAD CAP SCREW, 1/4-20	1	1	RA-20889	ANILOX ROLL, NOT INCLUDED
53	5	MAR-008.00019	FLAT HEAD CAP SCREW	28	2	MAR-008.00043	SOCKET HEAD CAP SCREW, 5/16-18	2	2	MAR-001.00041	BEARING CAP
54	4	MAR-008.00027	SOCKET HEAD CAP SCREW, 1/4-20	29	4	MAR-008.00093	SOCKET HEAD CAP SCREW, 5/16-18	3	2	MAR-001.00042	ROLLER SUPPORT PLATE
55	1	MAR-001.00087	DRAIN TRAY COVER	30	8	MAR-008.00034	SOCKET HEAD CAP SCREW, 1/4-20	4	2	MAR-001.00043	BASE BLOCK
56	4	MAR-008.00015	SOCKET HEAD SCREW	31	2	MAR-001.00079	SUPPORT COLLAR	5	2	RA-80165	BEARING, 20mm SHAFT
57	4	MAR-012.00002	FLAT WASHER	32	4	MAR-008.00086	SOCKET HEAD SCREW, 5/16-18	6	4	MAR-001.00044	RETAINING PLATE, BEARING
58	2	MAR-001.00086	COVER MOUNTS, RA DOCTOR BLADE	33	2	MAR-008.00012	SET SCREW, 1/4-20	7	2	MAR-001.00045	BLOCK
59	2	MAR-008.00105	BUTTON HEAD CAP SCREW, 1/4-20	34	1	RA-20733	BEARING	8	2	MAR-001.00046	PIN, ECCENTRIC
60	1	MAR-001.00081	COVER, ANILOX ROLLER	35	1	RA-20734	THRUST WASHER	9	1	MAR-001.00047	SUPPORT PLATE, OPER. SIDE
61	2	MAR-018.00001	LABEL, HAZARD, GUARD	36	1	RA-20800	CAP	10	1	MAR-001.00048	SUPPORT PLATE, OPER. SIDE
62	2	MAR-008.00112	SHOULDER BOLT, 1/4-20	37	1	RA-20798	LUBE FITTING SCREW	11	1	MAR-001.00049	BLOCK, PIVOT, OP SIDE
63	1	MAR-017.00002	J-BOX	38	1	MAR-001.00080	DRAIN TRAY, STAINLESS STEEL	12	2	MAR-009.00020	BUSHING
64	1	MAR-017.00003	CORD GRIP	39	1	RA-20742	GEAR, HELICAL, 40 TEETH	13	2	MAR-010.00067	COLLAR
65	2	MAR-017.00004	CONDUIT FITTING, 90 DEGREE	40	1	RA-20715	BEARING	14	2	MAR-001.00050	BLOCK, ADJUSTMENT
66	1	MAR-017.00005	CONDUIT, FLEXIBLE	41	1	RA-20711	COLLAR	15	1	MAR-001.00051	BLOCK, PIVOT, DRIVE SIDE
67	4	MAR-008.00018	SET SCREW	42	1	RA-20716	THRUST WASHER	16	2	MAR-001.00052	KNOB, ADJUSTMENT
68	1	MAR-017.00006	SWITCH COVER, TOGGLE	43	2	MAR-001.00082	MOUNTING BLOCK, GUARDING	17	2	MAR-001.00053	COLLAR
69	1	MAR-010.00082	#35 ROLLER CHAIN	44	1	MAR-017.00001	GEARMOTOR, 110VAC	18	4	MAR-010.00068	PIN
70	1	MAR-001.00085	MOTOR MOUNTING BRACKET	45	1	MAR-001.00083	SHAFT SLEEVE, ANILOX ROLLER	19	2	MAR-010.00069	THREADED ROD
71	2	MAR-008.00051	SOCKET HEAD CAP SCREW, 5/16-18	46	1	MAR-010.00081	SPROCKET, 12T	20	2	MAR-011.00005	DIE SPRING
72	2	MAR-012.00004	WASHER	47	1	RA-20799-2	SPROCKET, 22T, 3/8" PITCH, 2.83" OD, HARD TEETH	21	4	MAR-001.00054	KNOB
73	2	MAR-001.00090	BLOCK, CAM	48	1	MAR-001.00084	ROD, SUPPORT	22	2	MAR-001.00055	RAIL
74	1	MAR-017.00007	MOTOR STARTER	49	2	MAR-008.00082	SHCS, 5/16-18	24	1	MAR-001.00060	RA DOCTOR BLADE CHAMBER
75	2	MAR-010.00071	HANDLE	50	1	RA-20761	KNOB	25	2	MAR-001.00077	CLAMP BLOCK, DRAIN TRAY
76	4	MAR-008.00031	SOCKET HEAD CAP SCREW, 1/4-20	51	1	RA-20760	THRUST WASHER	26	2	MAR-001.00078	CLAMP PLATE, DRAIN TRAY
77	1	MAR-017.00008	PLUG, CONDUIT								


THE RA DOCTOR BLADE PRINTER CONVERSION FROM MARATHON DOES NOT INCLUDE THE ANILOX ROLLER.

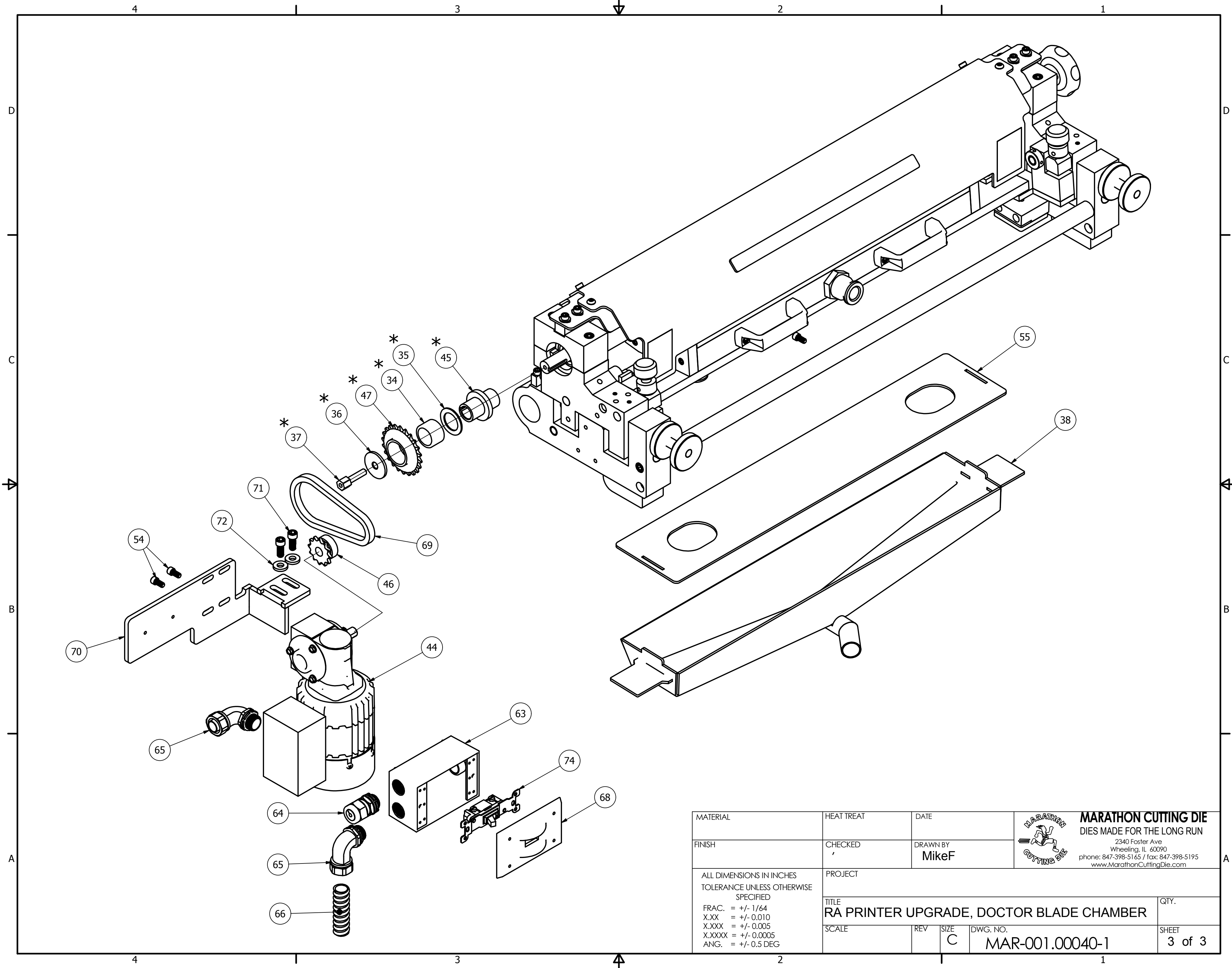
* ITEMS 34, 35, 36, 37, 39, 45, AND 47 ARE NOT INCLUDED WITH THE KIT BUT ARE AVAILABLE, IF NEEDED, FROM MARATHON.




MATERIAL	HEAT TREAT	DATE	 MARATHON CUTTING DIE DIES MADE FOR THE LONG RUN 2340 Foster Ave Wheeling, IL 60090 phone: 847-398-5165 / fax: 847-398-5195 www.MarathonCuttingDie.com
FINISH	CHECKED	DRAWN BY MikeF	
ALL DIMENSIONS IN INCHES TOLERANCE UNLESS OTHERWISE SPECIFIED FRAC. = +/- 1/64 X.XX = +/- 0.010 X.XXX = +/- 0.005 X.XXXX = +/- 0.0005 ANG. = +/- 0.5 DEG			PROJECT
			TITLE RA PRINTER UPGRADE, DOCTOR BLADE CHAMBER
SCALE		REV	SIZE C
		DWG. NO. MAR-001.00040-1	QTY. SHEET 1 of 3



MATERIAL	HEAT TREAT	DATE	 MARATHON CUTTING DIE DIES MADE FOR THE LONG RUN 2340 Foster Ave Wheeling, IL 60090 phone: 847-398-5165 / fax: 847-398-5195 www.MarathonCuttingDie.com
FINISH	CHECKED	DRAWN BY MikeF	
ALL DIMENSIONS IN INCHES TOLERANCE UNLESS OTHERWISE SPECIFIED FRAC. = +/- 1/64 X.XX = +/- 0.010 X.XXX = +/- 0.005 X.XXXX = +/- 0.0005 ANG. = +/- 0.5 DEG		PROJECT	
TITLE RA PRINTER UPGRADE, DOCTOR BLADE CHAMBER			QTY.
SCALE	REV	SIZE C	DWG. NO. MAR-001.00040-1
			SHEET 2 of 3



MATERIAL	HEAT TREAT	DATE	 MARATHON CUTTING DIE DIES MADE FOR THE LONG RUN 2340 Foster Ave Wheeling, IL 60090 phone: 847-398-5165 / fax: 847-398-5195 www.MarathonCuttingDie.com
FINISH	CHECKED	DRAWN BY MikeF	
ALL DIMENSIONS IN INCHES TOLERANCE UNLESS OTHERWISE SPECIFIED FRAC. = +/- 1/64 X.XX = +/- 0.010 X.XXX = +/- 0.005 X.XXXX = +/- 0.0005 ANG. = +/- 0.5 DEG			PROJECT
			TITLE RA PRINTER UPGRADE, DOCTOR BLADE CHAMBER
SCALE	REV	SIZE C	DWG. NO. MAR-001.00040-1
			QTY.
			SHEET 3 of 3