

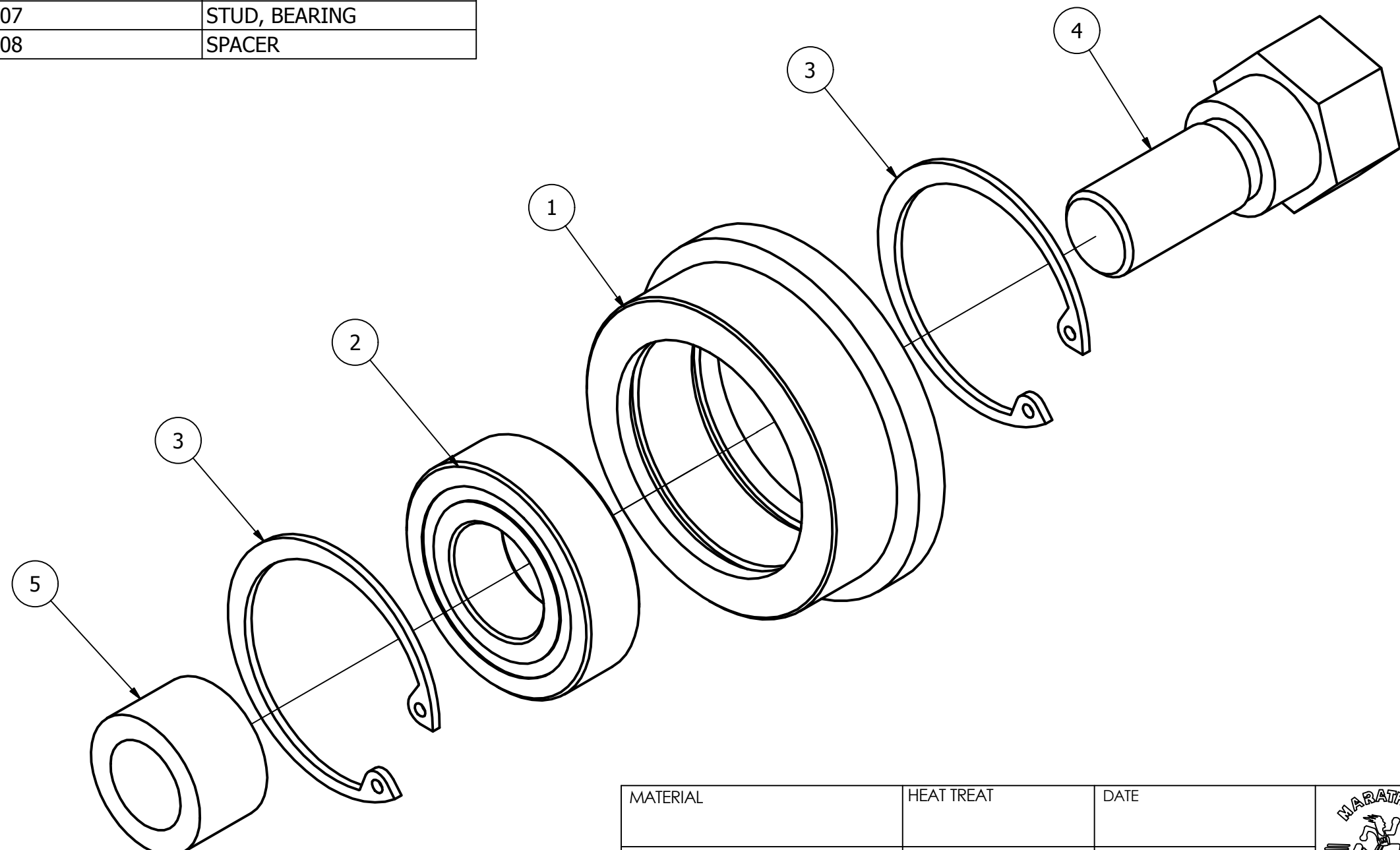
4


3

2

1

PARTS LIST			
ITEM	QTY	PART NUMBER	DESCRIPTION
1	1	RA-71110	IDLER
2	1	RA-50339	BEARING
3	2	MAR-010.00078	RETAINING RING
4	1	RA-71107	STUD, BEARING
5	1	RA-71108	SPACER



MATERIAL	HEAT TREAT	DATE	 <b>MARATHON CUTTING DIE</b> DIES MADE FOR THE LONG RUN 2340 Foster Ave Wheeling, IL 60090 phone: 847-398-5165 / fax: 847-398-5195 www.MarathonCuttingDie.com
FINISH	CHECKED	DRAWN BY <b>MikeF</b>	
MACHINING TOLERANCE UNLESS SPECIFIED INCH      METRIC X      = +/- 0.010    +/- 0.25 X.X    = +/- 0.010    +/- 0.13 X.XX   = +/- 0.010    +/- 0.08 X.XXX = +/- 0.005    +/- 0.02 X.XXXX = +/- 0.0005 ANG.   = +/- 0.5 DEG	PROJECT		QTY.
	TITLE <b>FA IDLER</b>		SHEET <b>1 of 1</b>
SCALE	REV	SIZE <b>B</b>	DWG. NO. <b>FA IDLER</b>

4

3

2

1