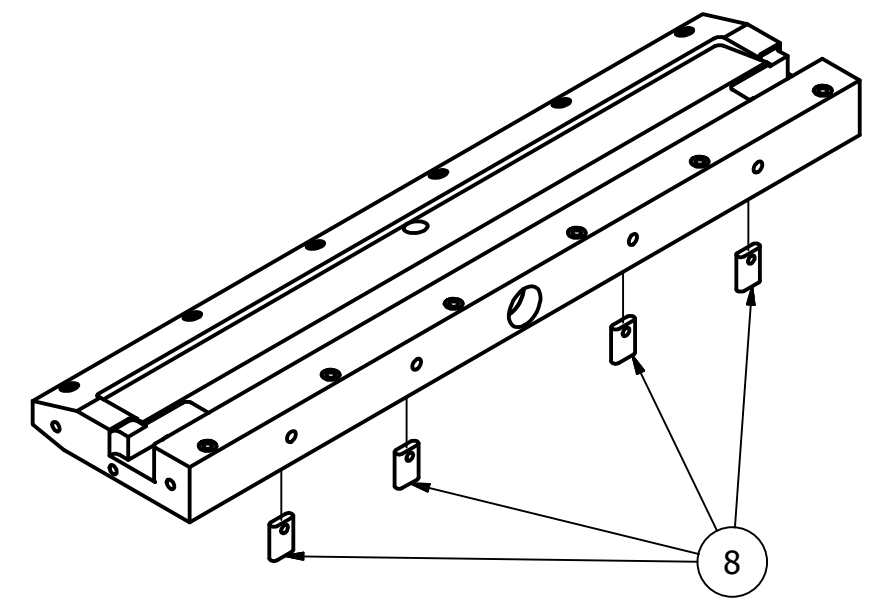
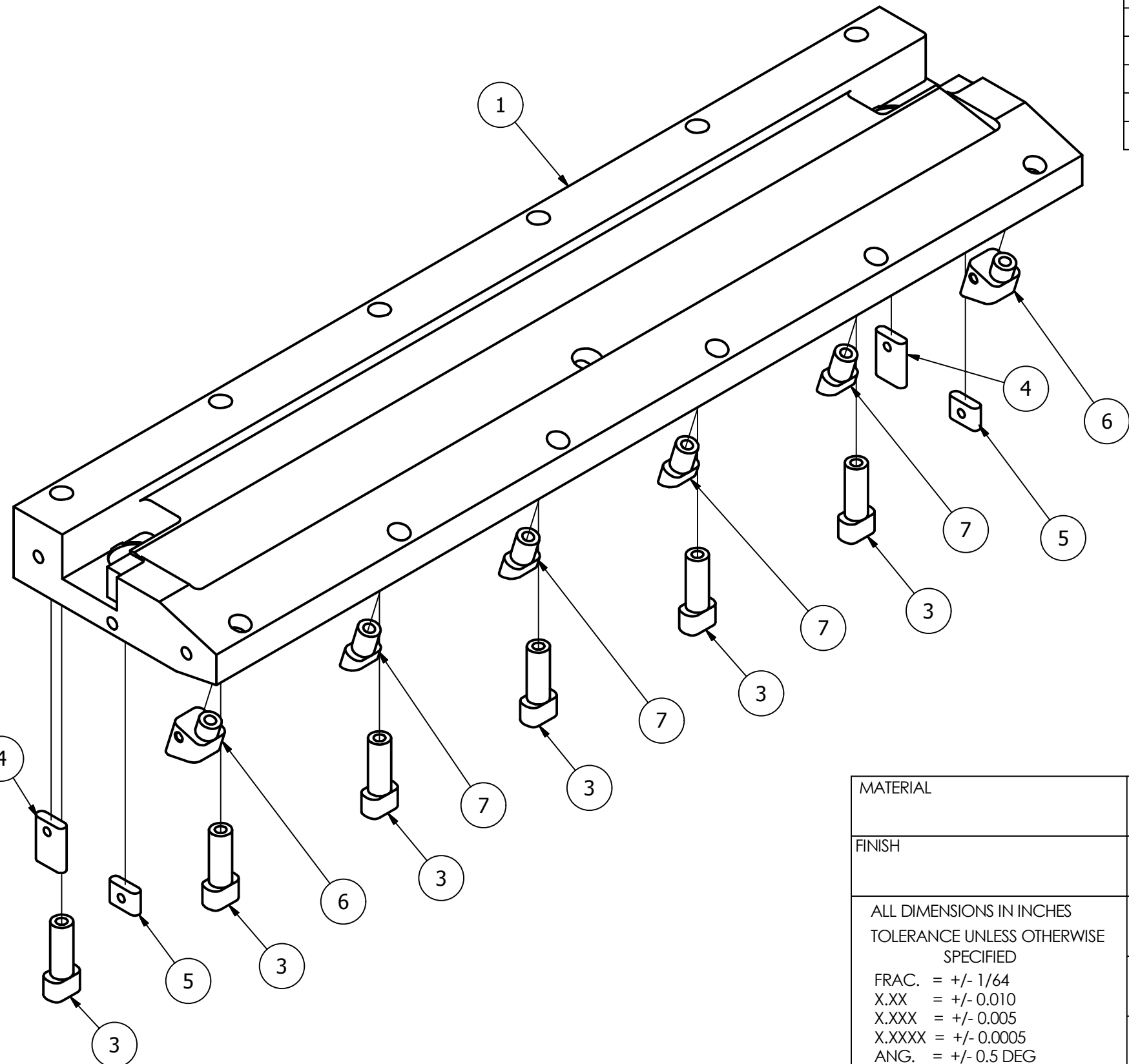



ERGOLite Design

PARTS LIST			
ITEM	QTY	PART NUMBER	DESCRIPTION
1	1	MAR-001.00057	INK TRAY
2	4	MAR-010.00062	1/4-20 INSERT, SS, MCMASTER - 93340A410
3	6	MAR-001.00071	THREADED INSERT, 1.395", STAINLESS STEEL
4	2	MAR-001.00072	NUT, PRESS,SS,10-32, 7/8", SS, RA DOCTOR BLADE
5	2	MAR-001.00073	NUT, PRESS, SS,10-32, 0.438", RA DOCTOR BLADE
6	2	MAR-001.00074	NUT, PRESS, SS,WITH 10-32 TAP, RA DOCTOR BLADE
7	4	MAR-001.00075	THREADED INSERT, 1.395", STAINLESS STEEL
8	4	MAR-001.00076	NUT, PRESS,SS,1/4-20, 7/8", SS, RA DOCTOR BLADE



MATERIAL	HEAT TREAT	DATE	 MARATHON CUTTING DIE DIES MADE FOR THE LONG RUN 2340 Foster Ave Wheeling, IL 60090 phone: 847-398-5165 / fax: 847-398-5195 www.MarathonCuttingDie.com
FINISH	CHECKED	DRAWN BY MikeF	
ALL DIMENSIONS IN INCHES TOLERANCE UNLESS OTHERWISE SPECIFIED FRAC. = +/- 1/64 X.XX = +/- 0.010 X.XXX = +/- 0.005 X.XXXX = +/- 0.0005 ANG. = +/- 0.5 DEG	PROJECT		QTY.
	TITLE INK TRAY ASSEMBLY, RA DOCTOR BLADE CHAMBER		SHEET 1 of 1
SCALE	REV	SIZE B	DWG. NO. MAR-001.00027